



BONSMARA BEESTELERSGENOOTSAP VAN NAMIBIA

Saamgestel deur die Suid-Afrikaanse Stamboek- en Veeverbeteringsvereniging
Stamboom- en Prestasiedata korrek gesertifiseer

Veilingsdatum: 17/04/2019
Data soos op 10/04/2019 08:21:09

EXPLANATION OF ABBREVIATIONS IN CATALOGUE

VERDUIDELIKING VAN AFKORTINGS IN KATALOGUS

Calf traits	DIRECT CALF TRAITS	DIREKTE KALF EIENSKAPPE	Kalf eienskappe
Daughter traits	DAUGHTER TRAITS	DOGTER EIENSKAPPE	Dogter eienskappe
Growth traits	GROWTH	GROEI	Groei eienskappe
Efficiency traits	EFF	DOEL	Doeltreffendheids eienskappe
Reproduction traits	REPRODUCTION	REPRODUKSIE	Reproduksie eienskappe
Body measurements	MEASURE	MATES	Liggaamsmates
Lot number	Lot	Lot	Lotnommer
Ratio	R:	V:	Verhouding
Identification number	ID	ID	Identifikasienommer
Generation/Section of Herdbook	Gen	Gen	Generasie/Afdeling van kuddeboek
Weight in kilogram	Wgt kg	Gew kg	Gewig in kilogram
Index	Ind	Ind	Indeks
Accuracy of breeding value	Acc	Akk	Akkuraatheid van teelwaarde
Birth direct (kg)	Birth Dir	Geb Dir	Geboorte direk (kg)
Birth maternal (kg)	Birth Mat	Geb Mat	Geboorte maternaal (kg)
Wean direct (kg)	Wean Dir	Speen Dir	Speen direk (kg)
Wean maternal (kg)	Wean Mat	Speen Mat	Speen maternaal (kg)
Mature weight (kg)	Mature Wgt	Volw Gew	Volwasse gewig (kg)
365 Days (kg)	365d	365d	365 Dae (kg)
540 Days (kg)	540d	540d	540 Dae (kg)
Average daily gain (g/day)	ADG	GDT	Gemiddelde daaglikse toename (g/dag)
Feed conversion ratio	FCR	VOV	Voeromsetverhouding
Scrotal circumference (mm)	SC	SO	Skrotum omvang (mm)
Age First Calving	AFC	OEK	Ouderdom Eerste Kalwing
Inter Calving Period	ICP	TKP	Tussen Kalf Periode
Height (mm)	Hgt	Hgt	Hoogte (mm)
Length (mm)	Lgt	Lgt	Lengte (mm)
Length : Height ratio	LHR	HLV	Lengte : Hoogte verhouding
Birth weight : Cow weight ratio	BWR	GGV	Geboortegewig : Koeigewig verhouding
Wean weight : Cow weight ratio	WWR	SGV	Speengewig : Koeigewig verhouding
Age in years and months / Number of calvings	Age / Calv	Oud / Kalw	Ouderdom in jare en maande / Aantal kalwings
Average Wean index / Number of calves	Ave WI / Calf	Gem SI / Kalf	Gemiddelde Speenindeks / Aantal kalwers
Reproduction index	R.I.	R.I.	Reproduksie Indeks
Polled	Polled	Poena	Poena
Post Wean 365 days & Post Wean 540 days	PW365 & PW540	NS365 & NS540	Naspeen 365 dae & Naspeen 540 dae
Growth test & Growth test group	GT & GTg	GT & GTg	Groei Toets & Groeitoets groep
Central test	CT	ST	Sentrale toets
Kleiber Index	KLB	KLB	Kleiber Indeks
Ouerskap Verifikasie	OV	PV	Parentage Verification



BONSMARA CATTLE BREEDERS SOCIETY OF NAMIBIA

Compiled by the South African Stud Book and Livestock Improvement Association
Pedigree- and Performance data certified correct

Auction Date: 17/04/2019
Data as on 10/04/2019 08:21:09

Lot	Seller	ID	PARENTS	Test	Breeding Value Indexes											R:	Breeder Own Remarks						
					SIRE GV PV	Genomic Tested	Birth Dir		Wean Dir		Birth Mat	Wean Mat	Mat Wgt	Post Wean				ADG	FCR KLB	SC	Hgt	Lgt	LHR
							DNA	Acc	Acc	Acc	Acc	Acc	365d Ind	540d Ind	Ind			Ind	(mm)	(mm)	(mm)	BWR	
		Gen	DAM GV PV	Birth Date	Wgt kg	Wgt kg	Ind	kg	kg	kg								WWR					

BULLS

1	TRISTONE BUSINESS TRUST	HART 160010 HH SP	HART 080062	GT	120	87	92	96	82	92	104	103	98	101	94	1.12	Skrotum omtrek: 39 cm
					-0.99	7.8	0.12	2.4	-9.0	16.2	110	-52	7.9	2	4	-	
			HART 130283	04.01.16	32	218	101			-	102	103	331	1157	1295	49.8	
2	TRISTONE BUSINESS TRUST	HART 160003 HH SP	HART 110166	GT	125	88	106	106	92	97	105	91	110	107	110	1.21	Skrotum omtrek: 40.5cm
					-1.51	8.1	-0.50	5.1	1.0	19.3	114	-27	17.4	8	27	-	
			HART 100259	04.01.16	26	210	100			-	106	105	329	1193	1442	40.1	
3	TRISTONE BUSINESS TRUST	HART 160032 HH SP	HART 090329	GT	99	112	106	81	106	120	110	79	108	115	130	1.19	Skrotum omtrek: 44cm
					1.21	18.9	-0.50	-1.8	16.0	35.1	139	-3	15.3	14	54	-	
			HART 070177	10.01.16	32	221	99			-	111	108	328	1236	1475	45.6	
4	TRISTONE BUSINESS TRUST	HART 160248 HH SP	FCT 11 0285	GTg	92	112	89	109	114	115	112	98	118	103	107	1.14	Skrotum omtrek: 41cm
					1.93	18.7	0.29	6.1	25.0	32.1	148	-43	23.6	4	23	-	
			HART 120053	25.07.16	39	251	102			-	112	107	357	1253	1434	42.1	
5	TRISTONE BUSINESS TRUST	HART 160064 HH SP	HART 080082	GT	107	90	89	100	78	91	88	87	95	69	85	1.17	Skrotum omtrek: 41cm
					0.39	9.1	0.25	3.5	-14.0	15.4	37	-19	5.3	-23	-8	-	
			BHE 050138	19.01.16	39	236	99			-	123	121	334	1138	1327	46.6	
6	TRISTONE BUSINESS TRUST	HART 160081 HH SP	HART 090329	GT	95	109	102	75	99	115	101	85	103	82	103	1.17	Skrotum omtrek: 42cm
					1.64	17.4	-0.33	-3.4	9.0	31.8	96	-15	11.3	-13	18	-	
			VBB 090302	18.01.16	37	226	99			-	111	107	323	1170	1369	44.7	

1.10	13.4	-0.23	3.5	10	21.6	93	-47	9.3	2	13
------	------	-------	-----	----	------	----	-----	-----	---	----

BONSARA CATTLE BREEDERS SOCIETY OF NAMIBIA

Compiled by the South African Stud Book and Livestock Improvement Association

Auction Date: 17/04/2019

Data as on 10/04/2019 08:21:09

Lot 1
Skrotum omtrek: 39 cm

<p>HART 160010 SPN Mat. 96</p>	<p>HART 080062 SPN Mat. 91</p>	<p>AG 010152 SPN Mat. 101</p> <p>HART 050044 AFC 29 SPN Mat. 108 ICP 411 Age/Calv. 8/6 Avg. WI/Calv 99/6</p> <p>ADV 060198 SPN Mat. 109</p> <p>HART 130283 AFC 28 SPN Mat. 91 ICP 381 Age/Calv. 4/3 RI 115 Avg. WI/Calv 102/2</p>	<p>AG 980200</p> <p>AG 990040</p> <p>GMS 990226</p> <p>NGO 990065</p> <p>SYF 020051</p> <p>AG 970118</p> <p>AEJ 030199</p> <p>HJTB 040027</p>
---	---	---	---

Lot 2
Skrotum omtrek: 40.5cm

<p>HART 160003 SPN Mat. 106</p>	<p>HART 110166 SPN Mat. 114</p>	<p>AG 030359 SPN Mat. 134</p> <p>HART 070183 AFC 26 SPN Mat. 72 ICP 336 Age/Calv. 10/9 Avg. WI/Calv 98/9</p> <p>AG 030029 SPN Mat. 66</p> <p>HART 100259 AFC 26 SPN Mat. 95 ICP 447 Age/Calv. 8/6 RI 104 Avg. WI/Calv 99/5</p>	<p>AG 000010</p> <p>AG 010052</p> <p>AEJ 030199</p> <p>JMP 040222</p> <p>AG 990142</p> <p>AG 970109</p> <p>JJF 970098</p> <p>GBS 990041</p>
--	--	--	---

Lot 3
Skrotum omtrek: 44cm

<p>HART 160032 SPN Mat. 81</p>	<p>HART 090329 SPN Mat. 82</p>	<p>AG 030029 SPN Mat. 66</p> <p>HART 060096 AFC 24 SPN Mat. 138 ICP 372 Age/Calv. 10/9 Avg. WI/Calv 106/8</p> <p>AEJ 030199 SPN Mat. 68</p> <p>HART 070177 AFC 26 SPN Mat. 75 ICP 363 Age/Calv. 9/8 RI 118 Avg. WI/Calv 97/7</p>	<p>AG 990142</p> <p>AG 970109</p> <p>AG 010152</p> <p>NGO 960024</p> <p>AEJ 970106</p> <p>AEJ 980093</p> <p>AEJ 970106</p> <p>AEJ 010184</p>
---	---	--	--

Lot 4
Skrotum omtrek: 41cm

<p>HART 160248 SPN Mat. 109</p>	<p>FCT 11 0285 SPN Mat. 121</p>	<p>FCT 080118 SPN Mat. 96</p> <p>FCT 060069 AFC 26 SPN Mat. 99 ICP 388 Age/Calv. 12/10 Avg. WI/Calv 102/9</p> <p>FCT 000065 SPN Mat. 81</p> <p>HART 120053 AFC 26 SPN Mat. 121 ICP 403 Age/Calv. 7/5 RI 112 Avg. WI/Calv 107/5</p>	<p>FCT 050041</p> <p>FCT 050072</p> <p>FCT 030159</p> <p>FCT 040061</p> <p>BG 950063</p> <p>FCT 960053</p> <p>NPT 910022</p> <p>BHE 980007</p>
--	--	--	--

Lot 5
Skrotum omtrek: 41cm

<p>HART 160064 SPN Mat. 100</p>	<p>HART 080082 SPN Mat. 99</p>	<p>HJS 030016 SPN Mat. 102</p> <p>NGO 000069 AFC 30 SPN Mat. 128 ICP 414 Age/Calv. 15/12 Avg. WI/Calv 103/11</p> <p>AG 980338 SPN Mat. 87</p> <p>BHE 050138 AFC 33 SPN Mat. 99 ICP 397 Age/Calv. 11/9 RI 107 Avg. WI/Calv 99/9</p>	<p>RCO 980037</p> <p>HJS 000068</p> <p>NGO 920072</p> <p>NGO 960028</p> <p>AG 930210</p> <p>AG 920184</p> <p>NPT 910022</p> <p>BHE 940152</p>
--	---	--	---

Lot 6
Skrotum omtrek: 42cm

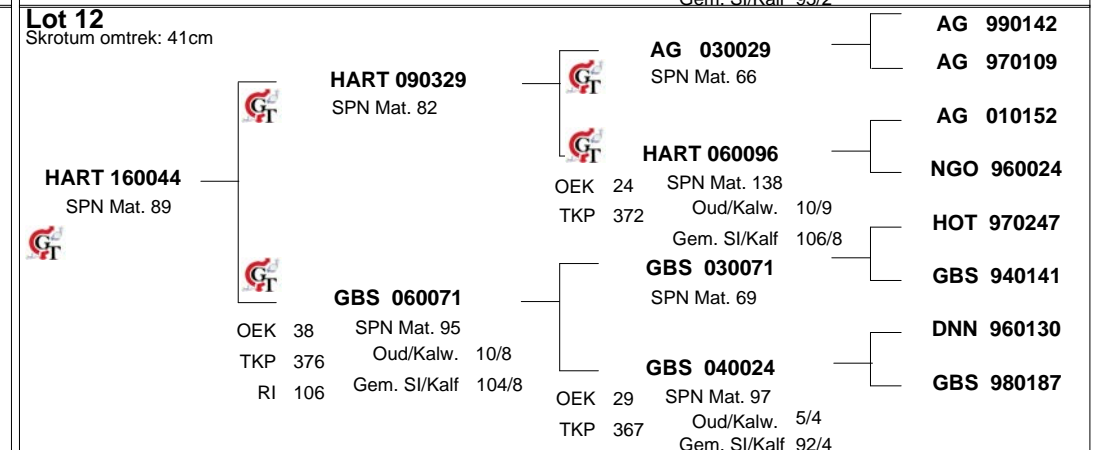
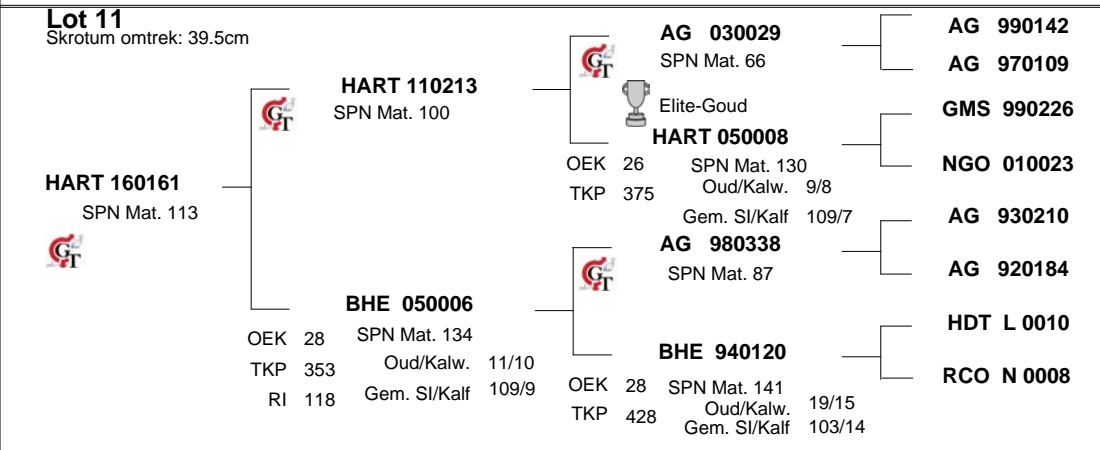
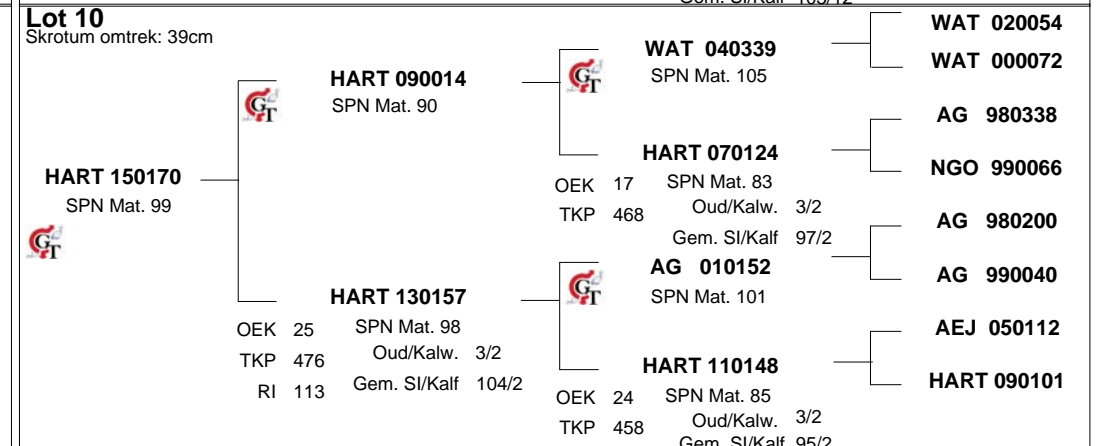
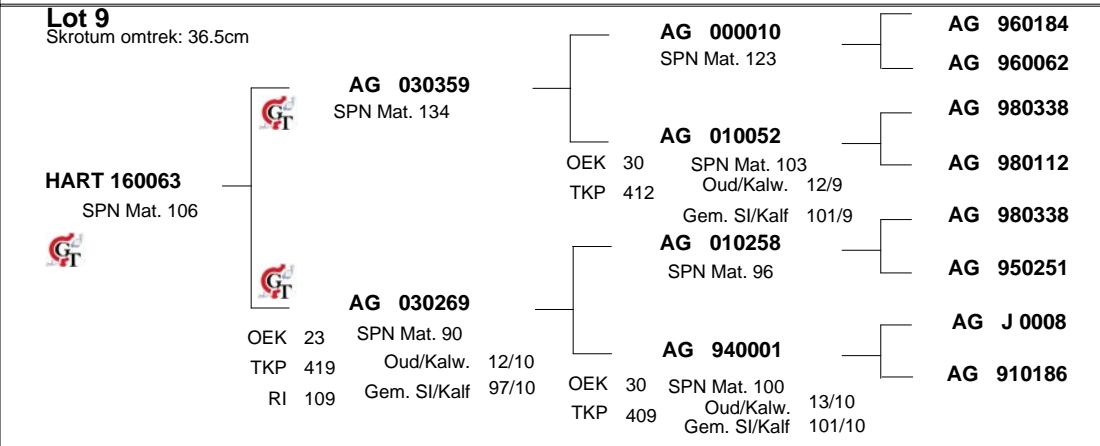
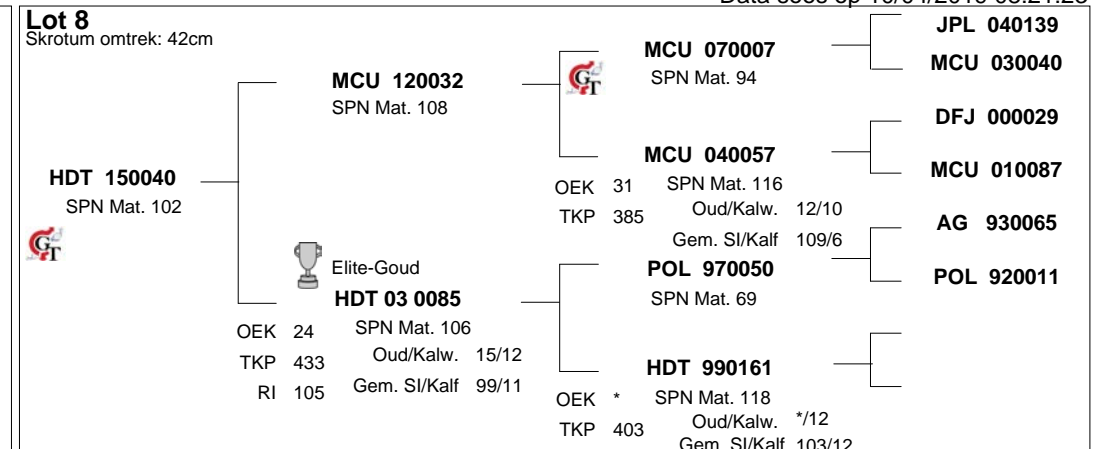
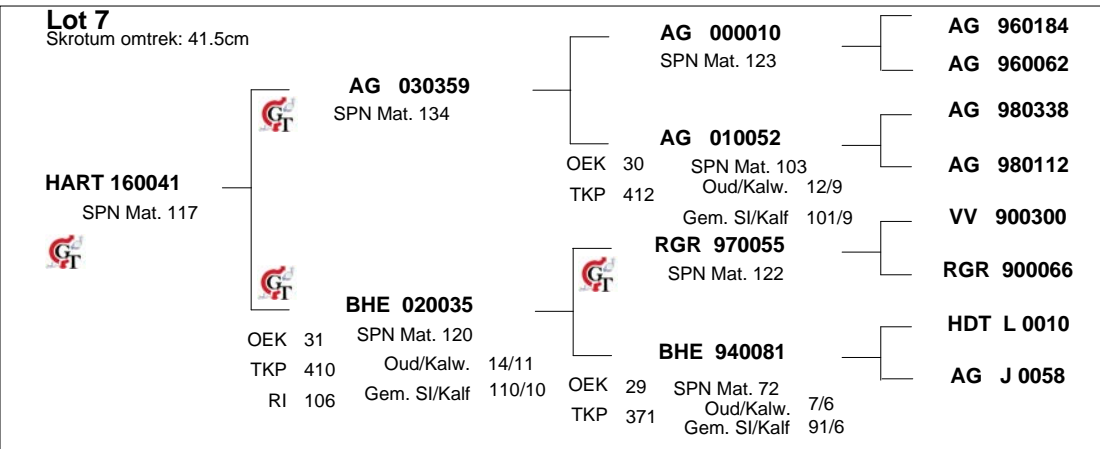
<p>HART 160081 SPN Mat. 75</p>	<p>HART 090329 SPN Mat. 82</p>	<p>AG 030029 SPN Mat. 66</p> <p>HART 060096 AFC 24 SPN Mat. 138 ICP 372 Age/Calv. 10/9 Avg. WI/Calv 106/8</p> <p>VBB 070088 V SPN Mat. 81 Gold</p> <p>VBB 090302 AFC 25 SPN Mat. 63 ICP 377 Age/Calv. 8/7 RI 116 Avg. WI/Calv 97/7</p>	<p>AG 990142</p> <p>AG 970109</p> <p>AG 010152</p> <p>NGO 960024</p> <p>DBT 030036</p> <p>VV 010212</p> <p>LAR 000084</p> <p>RGR 000076</p>
---	---	--	---

BONSMARA BEESTELERSGENOOTSKAP VAN NAMIBIA

Saamgestel deur die Suid-Afrikaanse Stamboek- en Veeverbeteringsvereniging

Veilingsdatum: 17/04/2019

Data soos op 10/04/2019 08:21:23





BONSMARA CATTLE BREEDERS SOCIETY OF NAMIBIA

Compiled by the South African Stud Book and Livestock Improvement Association
Pedigree- and Performance data certified correct

Auction Date: 17/04/2019
Data as on 10/04/2019 08:21:31

Lot	Seller	ID	PARENTS	Test	Breeding Value Indexes											R:	Breeder Own Remarks						
					SIRE GV PV	Genomic Tested	Birth Dir		Wean Dir		Birth Mat	Wean Mat	Mat Wgt	Post Wean				ADG	FCR KLB	SC	Hgt	Lgt	LHR
							DNA	Acc	Acc	Acc	Acc	Acc	365d Ind	540d Ind	Ind			Ind	(mm)	(mm)	(mm)	BWR	
		Gen	DAM GV PV	Birth Date	Wgt kg	Wgt kg	Ind	kg	kg	kg								WWR					

BULLS

13	TRISTONE BUSINESS TRUST	HART 160163 HH SP	HART 110213	GT	87	113	93	90	111	104	103	103	97	100	110	1.11	Skrotum omtrek: 41cm
			<input checked="" type="checkbox"/> <input checked="" type="checkbox"/>		2.44	19.1	0.10	0.9	22.0	24.1	105	-53	7.2	2	27	-	
			HJB 040266	06.02.16	40	257	110			-	90	90	305	1206	1337	43.3	
14	TRISTONE BUSINESS TRUST	HART 160065 HH SP	HART 080082	GT	119	92	98	95	87	93	103	104	93	93	94	1.12	Skrotum omtrek: 38cm
			<input checked="" type="checkbox"/> <input checked="" type="checkbox"/>		-0.90	9.9	-0.12	2.2	-5.0	17.2	105	-55	3.6	-3	5	-	
			GBS 060049	19.01.16	32	257	114			-	104	100	311	1208	1357	46.2	
15	TRISTONE BUSINESS TRUST	HART 160103 HH SP	HART 110213	GT	83	107	91	107	114	105	99	82	106	123	124	1.14	Skrotum omtrek: 40cm
			<input checked="" type="checkbox"/> <input checked="" type="checkbox"/>		2.87	16.6	0.18	5.6	25.0	24.8	86	-8	13.7	20	46	-	
			WCS 020109	19.01.16	40	238	100			-	111	110	325	1218	1387	45.1	
16	TRISTONE BUSINESS TRUST	HART 160088 HH SP	HART 090329	GT	74	140	97	106	126	138	104	79	108	103	130	1.22	Skrotum omtrek: 41.5cm
			<input checked="" type="checkbox"/> <input checked="" type="checkbox"/>		3.80	30.8	-0.08	5.3	38.0	47.2	110	-3	15.8	4	55	-	
			HART 070122 HH	18.01.16	45	290	129			-	112	103	316	1190	1449	49	
17	TRISTONE BUSINESS TRUST	HART 160099 HH SP	AG 030359	GT	119	83	107	105	92	89	100	99	92	78	88	1.16	Skrotum omtrek: 36cm
			<input checked="" type="checkbox"/> <input checked="" type="checkbox"/>		-0.90	5.8	-0.54	4.9	1.0	14.2	95	-44	3.3	-16	-4	-	
			NGO 020010	20.01.16	31	209	90			-	99	105	314	1138	1318	37.2	
18	TRISTONE BUSINESS TRUST	HART 160228 HH SP	FCT 11 0285	GT	105	101	87	105	102	107	109	91	102	105	113	1.17	Skrotum omtrek: 36cm
			<input checked="" type="checkbox"/> <input checked="" type="checkbox"/>		0.60	13.7	0.38	5.0	12.0	26.1	136	-28	11.0	6	31	-	
			HART 120279 HH	22.07.16	37	239	97			-	106	108	321	1235	1441	45.3	

1.10	13.4	-0.23	3.5	10	21.6	93	-47	9.3	2	13
------	------	-------	-----	----	------	----	-----	-----	---	----

BONSARA CATTLE BREEDERS SOCIETY OF NAMIBIA

Compiled by the South African Stud Book and Livestock Improvement Association

Auction Date: 17/04/2019

Data as on 10/04/2019 08:21:31

Lot 13
Skrotum omtrek: 41cm

<p>HART 160163 SPN Mat. 90</p>	<p>HART 110213 SPN Mat. 100</p>	<p>AG 030029 SPN Mat. 66</p> <p>Elite-Gold</p> <p>HART 050008 AFC 26 SPN Mat. 130 ICP 375 Age/Calv. 9/8 Avg. WI/Calv 109/7</p> <p>AG 980338 SPN Mat. 87</p> <p>HJB 040266 AFC 32 SPN Mat. 83 ICP 390 Age/Calv. 11/9 RI 109 Avg. WI/Calv 99/9</p> <p>HJB 950241 AFC 29 SPN Mat. 85 ICP 425 Age/Calv. 13/10 Avg. WI/Calv 98/8</p>	<p>AG 990142</p> <p>AG 970109</p> <p>GMS 990226</p> <p>NGO 010023</p> <p>AG 930210</p> <p>AG 920184</p> <p>CEG N 0193</p> <p>HJB 910093</p>
---	--	--	---

Lot 14
Skrotum omtrek: 38cm

<p>HART 160065 SPN Mat. 95</p>	<p>HART 080082 SPN Mat. 99</p>	<p>HJS 030016 SPN Mat. 102</p> <p>NGO 000069 AFC 30 SPN Mat. 128 ICP 414 Age/Calv. 15/12 Avg. WI/Calv 103/11</p> <p>JJF 970098 SPN Mat. 90</p> <p>GBS 060049 AFC 36 SPN Mat. 108 ICP 417 Age/Calv. 10/7 RI 100 Avg. WI/Calv 105/6</p> <p>GBS 000080 AFC 31 SPN Mat. 110 ICP 390 Age/Calv. 13/11 Avg. WI/Calv 103/10</p>	<p>RCO 980037</p> <p>HJS 000068</p> <p>NGO 920072</p> <p>NGO 960028</p> <p>VV 940238</p> <p>JJF 930053</p> <p>B 930190</p> <p>GBS 970131</p>
---	---	--	--

Lot 15
Skrotum omtrek: 40cm

<p>HART 160103 SPN Mat. 107</p>	<p>HART 110213 SPN Mat. 100</p>	<p>AG 030029 SPN Mat. 66</p> <p>Elite-Gold</p> <p>HART 050008 AFC 26 SPN Mat. 130 ICP 375 Age/Calv. 9/8 Avg. WI/Calv 109/7</p> <p>AG 950304 SPN Mat. 135</p> <p>WCS 020109 AFC 35 SPN Mat. 118 ICP 419 Age/Calv. 13/10 RI 102 Avg. WI/Calv 104/10</p> <p>WCS 940088 AFC 35 SPN Mat. 107 ICP 377 Age/Calv. 10/8 Avg. WI/Calv 107/8</p>	<p>AG 990142</p> <p>AG 970109</p> <p>GMS 990226</p> <p>NGO 010023</p> <p>AG 920031</p> <p>AG N 0173</p> <p>SHU 900101</p> <p>WCS 900027</p>
--	--	--	---

Lot 16
Skrotum omtrek: 41.5cm

<p>HART 160088 SPN Mat. 106</p>	<p>HART 090329 SPN Mat. 82</p>	<p>AG 030029 SPN Mat. 66</p> <p>HART 060096 AFC 24 SPN Mat. 138 ICP 372 Age/Calv. 10/9 Avg. WI/Calv 106/8</p> <p>BG 040037 SPN Mat. 97</p> <p>Elite-Silver</p> <p>BHE 050059 AFC 29 SPN Mat. 137 ICP 366 Age/Calv. 8/7 Avg. WI/Calv 112/6</p>	<p>AG 990142</p> <p>AG 970109</p> <p>AG 010152</p> <p>NGO 960024</p> <p>BG 020063</p> <p>EI 970253</p> <p>AG 000125</p> <p>BHE 020092</p>
--	---	---	---

Lot 17
Skrotum omtrek: 36cm

<p>HART 160099 SPN Mat. 105</p>	<p>AG 030359 SPN Mat. 134</p>	<p>AG 000010 SPN Mat. 123</p> <p>AG 010052 AFC 30 SPN Mat. 103 ICP 412 Age/Calv. 12/9 Avg. WI/Calv 101/9</p> <p>NGO 970004 SPN Mat. 72</p> <p>Elite-Gold</p> <p>NGO 020010 AFC 33 SPN Mat. 94 ICP 375 Age/Calv. 14/12 RI 112 Avg. WI/Calv 99/11</p> <p>GRT 970083 AFC 37 SPN Mat. 145 ICP 392 Age/Calv. 11/8 Avg. WI/Calv 115/5</p>	<p>AG 960184</p> <p>AG 960062</p> <p>AG 980338</p> <p>AG 980112</p> <p>NGO 920072</p> <p>NGO N 0046</p> <p>AG 910026</p> <p>GRT 950015</p>
--	--	--	--

Lot 18
Skrotum omtrek: 36cm

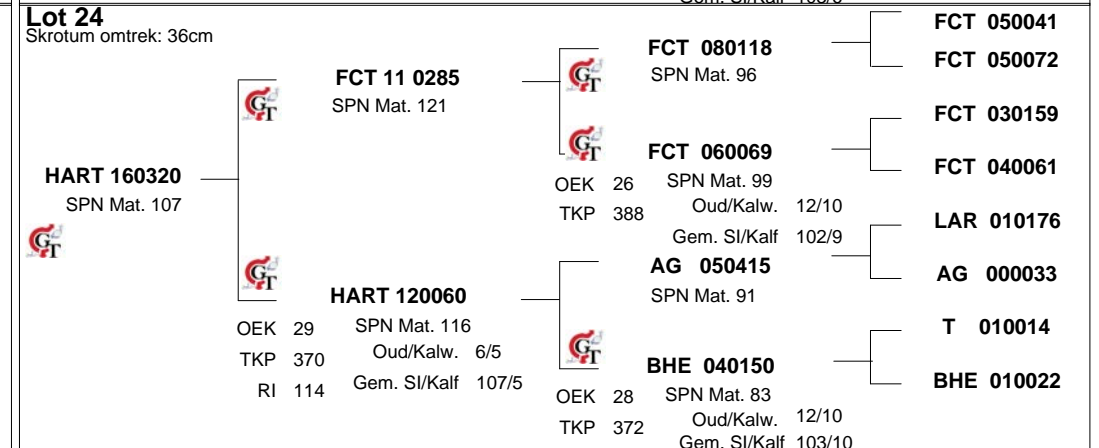
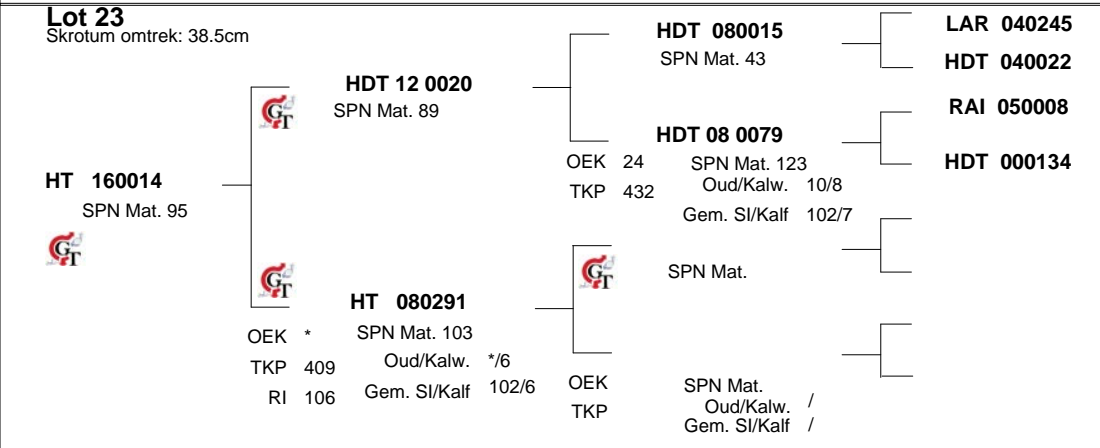
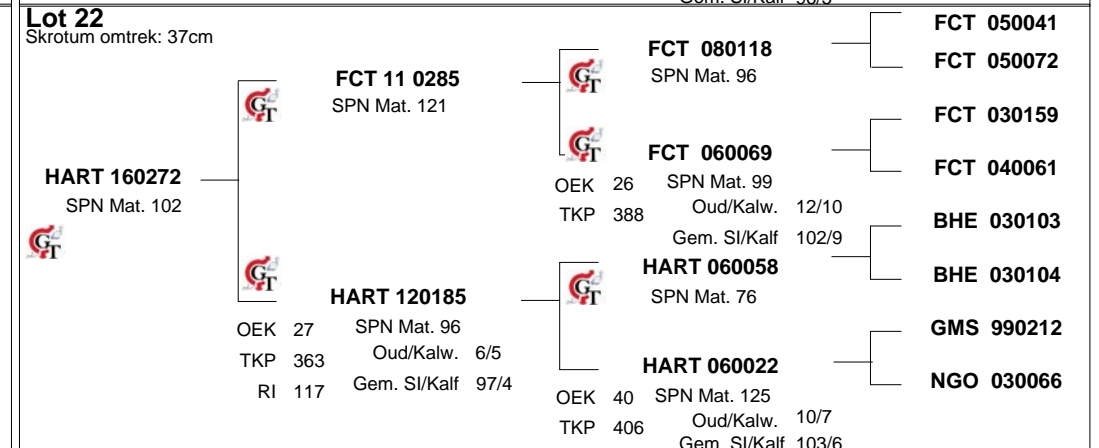
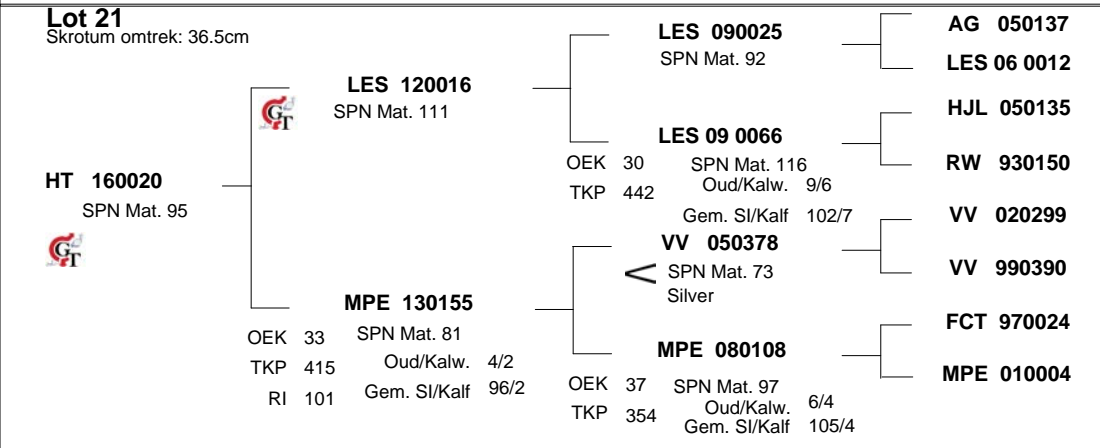
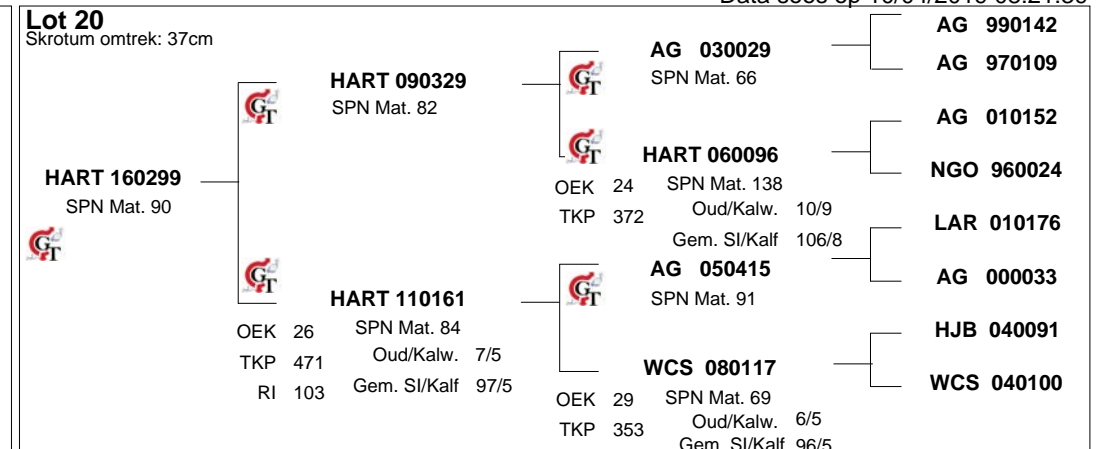
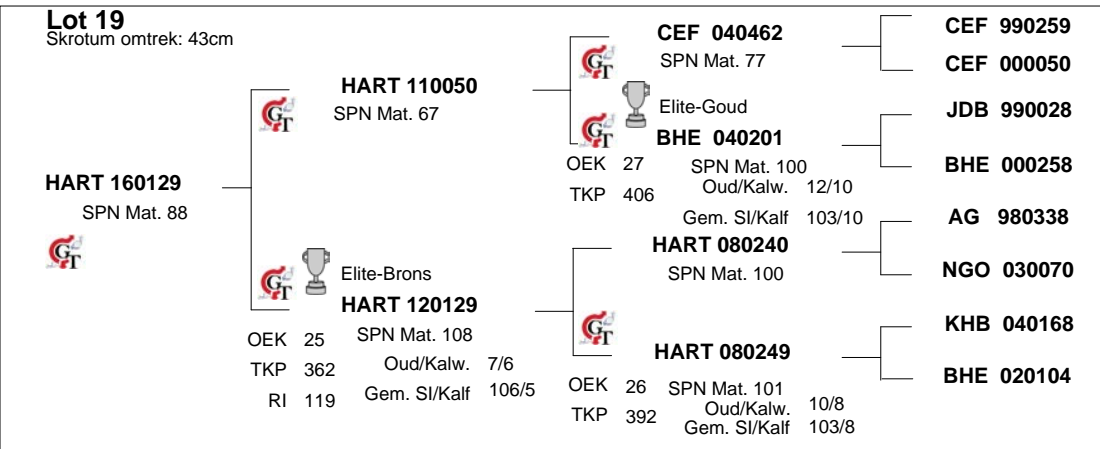
<p>HART 160228 SPN Mat. 105</p>	<p>FCT 11 0285 SPN Mat. 121</p>	<p>FCT 080118 SPN Mat. 96</p> <p>FCT 060069 AFC 26 SPN Mat. 99 ICP 388 Age/Calv. 12/10 Avg. WI/Calv 102/9</p> <p>AG 030029 SPN Mat. 66</p> <p>Elite-Gold</p> <p>AEJ 060163 AFC 24 SPN Mat. 134 ICP 359 Age/Calv. 12/11 Avg. WI/Calv 102/11</p>	<p>FCT 050041</p> <p>FCT 050072</p> <p>FCT 030159</p> <p>FCT 040061</p> <p>AG 990142</p> <p>AG 970109</p> <p>AG 020275</p> <p>AEJ 000041</p>
--	--	--	--

BOONSARA BEESTENOOTSAP VAN NAMIBIA

Saamgestel deur die Suid-Afrikaanse Stamboek- en Veeverbeteringsvereniging

Veilingsdatum: 17/04/2019

Data soos op 10/04/2019 08:21:39





BONSMARA CATTLE BREEDERS SOCIETY OF NAMIBIA

Compiled by the South African Stud Book and Livestock Improvement Association
Pedigree- and Performance data certified correct

Auction Date: 17/04/2019
Data as on 10/04/2019 08:21:47

Lot	Seller	ID	PARENTS	Test	Breeding Value Indexes											R:	Breeder Own Remarks						
					SIRE GV PV	Genomic Tested DNA	Birth Dir		Wean Dir		Birth Mat	Wean Mat	Mat Wgt	Post Wean				ADG	FCR KLB	SC	Hgt	Lgt	LHR
							Acc	Acc	Acc	Acc	Acc	365d Ind	540d Ind	Ind	Ind			Ind	Ind	(mm)	(mm)	(mm)	BWR
		Gen	DAM GV PV	Birth Date	Wgt kg	Wgt kg	Ind	kg	kg	kg								WWR					

BULLS

25	TRISTONE BUSINESS TRUST	HART 160339 HH SP	FCT 11 0285	GT	89	118	103	101	107	114	110	103	121	102	105	1.16	Skrotum omtrek: 38.5cm	
						2.29	21.5	-0.35	3.9	17.0	31.1	137	-52	25.6	4	20		-
			HART 130187	01.09.16	38	297	121				-	107	102	354	1233	1434		61
26	TRISTONE BUSINESS TRUST	HART 160334 HH SP	HART 080082	GTg	113	88	102	94	86	92	88	84	97	76	95	1.22	Skrotum omtrek: 37.5cm	
						-0.32	8.1	-0.32	2.0	-5.0	16.0	41	-13	6.6	-17	6		-
			HART 140092	27.08.16	30	260	110				-	109	104	328	1191	1453		59.6
27	TRISTONE BUSINESS TRUST 2	HT 160043 PcH B	HDT 12 0020	GT	97	105	115	89	109	98	84	91	92	79	90	1.17	Skrotum omtrek: 37cm	
						1.41	15.8	-0.92	0.5	19.0	20.2	21	-29	3.1	-15	-1		-
			HT 090038	05.06.16	37	211	107				-	94	99	326	1130	1323		45.1
28	TRISTONE BUSINESS TRUST	HART 160365 HH SP	FCT 11 0285	GT	97	112	104	92	104	112	102	92	110	94	101	1.18	Skrotum omtrek: 39.5cm	
						1.42	18.8	-0.39	1.4	14.0	29.8	103	-29	16.8	-3	15		-
			HART 120132	03.10.16	40	290	120				-	104	102	343	1228	1451		59.2
29	TRISTONE BUSINESS TRUST	HT 160060 PcH SP	HT 130010	GT	130	80	100	94	108	83	103	107	101	90	91	1.17	Skrotum omtrek: 38cm	
						-2.09	4.6	-0.23	2.0	18.0	10.1	107	-62	10.3	-6	1		-
			MPE 100055	25.09.16	27	220	96				-	95	100	336	1177	1374		32.4
30	TRISTONE BUSINESS TRUST	HART 160305 HH SP	FCT 11 0285	GT	74	110	90	100	106	109	105	103	99	101	101	1.15	Skrotum omtrek: 34cm	
						3.90	17.9	0.22	3.6	16.0	27.6	117	-53	8.9	3	15		-
			HART 120072	16.08.16	49	240	92				-	98	103	314	1241	1431		43.6

1.10	13.4	-0.23	3.5	10	21.6	93	-47	9.3	2	13
------	------	-------	-----	----	------	----	-----	-----	---	----

CONSMARA CATTLE BREEDERS SOCIETY OF NAMIBIA

Compiled by the South African Stud Book and Livestock Improvement Association

Auction Date: 17/04/2019

Data as on 10/04/2019 08:21:47

Lot 25
Skrotum omtrek: 38.5cm

<p>HART 160339 SPN Mat. 101</p>	<p>FCT 11 0285 SPN Mat. 121</p>	<p>FCT 080118 SPN Mat. 96</p> <p>FCT 060069 AFC 26 SPN Mat. 99 ICP 388 Age/Calv. 12/10 Avg. WI/Calv 102/9</p> <p>HART 090055 SPN Mat. 96</p> <p>Elite-Bronze HOT 050292</p> <p>AFC 23 SPN Mat. 101 ICP 412 Age/Calv. 10/8 Avg. WI/Calv 99/7</p>	<p>FCT 050041 FCT 050072 FCT 030159 FCT 040061 AG 980338 JMP 040139 DB 000045 HOT 020102</p>
<p>FCT 080118 SPN Mat. 114</p> <p>AFC 26 Age/Calv. 5/4 ICP 370 Avg. WI/Calv 109/4 RI 118</p>	<p>HART 130187</p>	<p>HART 090055 SPN Mat. 96</p>	<p>FCT 050041 FCT 050072 FCT 030159 FCT 040061 AG 980338 JMP 040139 DB 000045 HOT 020102</p>

Lot 26
Skrotum omtrek: 37.5cm

<p>HART 160334 SPN Mat. 94</p>	<p>HART 080082 SPN Mat. 99</p>	<p>HJS 030016 SPN Mat. 102</p> <p>NGO 000069 AFC 30 SPN Mat. 128 ICP 414 Age/Calv. 15/12 Avg. WI/Calv 103/11</p> <p>HART 110021 SPN Mat. 109</p> <p>VZF 060121 AFC 31 SPN Mat. 82 ICP 357 Age/Calv. 10/9 Avg. WI/Calv 98/9</p>	<p>RCO 980037 HJS 000068 NGO 920072 NGO 960028 WAT 040339 JPL 060114 CEF 010357 VZF 010093</p>
<p>HART 080082 SPN Mat. 99</p>	<p>HART 140092 AFC 30 SPN Mat. 96 ICP 453 Age/Calv. 5/3 RI 103 Avg. WI/Calv 108/2</p>	<p>HART 110021 SPN Mat. 109</p>	<p>RCO 980037 HJS 000068 NGO 920072 NGO 960028 WAT 040339 JPL 060114 CEF 010357 VZF 010093</p>

Lot 27
Skrotum omtrek: 37cm

<p>HT 160043 SPN Mat. 89</p>	<p>HDT 12 0020 SPN Mat. 89</p>	<p>HDT 080015 SPN Mat. 43</p> <p>HDT 08 0079 AFC 24 SPN Mat. 123 ICP 432 Age/Calv. 10/8 Avg. WI/Calv 102/7</p> <p>SPN Mat.</p> <p>AFC * SPN Mat. 88 ICP 442 Age/Calv. */6 RI 99 Avg. WI/Calv 101/5</p> <p>AFC SPN Mat. ICP Age/Calv. / Avg. WI/Calv /</p>	<p>LAR 040245 HDT 040022 RAI 050008 HDT 000134</p>
<p>HDT 12 0020 SPN Mat. 89</p>	<p>HDT 080015 SPN Mat. 43</p>	<p>HDT 08 0079 AFC 24 SPN Mat. 123 ICP 432 Age/Calv. 10/8 Avg. WI/Calv 102/7</p>	<p>LAR 040245 HDT 040022 RAI 050008 HDT 000134</p>

Lot 28
Skrotum omtrek: 39.5cm

<p>HART 160365 SPN Mat. 92</p>	<p>FCT 11 0285 SPN Mat. 121</p>	<p>FCT 080118 SPN Mat. 96</p> <p>FCT 060069 AFC 26 SPN Mat. 99 ICP 388 Age/Calv. 12/10 Avg. WI/Calv 102/9</p> <p>CEF 040462 SPN Mat. 77</p> <p>WCS 070052 AFC 35 SPN Mat. 83 ICP 434 Age/Calv. 7/4 Avg. WI/Calv 102/4</p>	<p>FCT 050041 FCT 050072 FCT 030159 FCT 040061 CEF 990259 CEF 000050 HJB 040091 WCS 990092</p>
<p>FCT 11 0285 SPN Mat. 121</p>	<p>HART 120132 AFC 25 SPN Mat. 91 ICP 401 Age/Calv. 6/5 RI 114 Avg. WI/Calv 105/5</p>	<p>FCT 080118 SPN Mat. 96</p>	<p>FCT 050041 FCT 050072 FCT 030159 FCT 040061 CEF 990259 CEF 000050 HJB 040091 WCS 990092</p>

Lot 29
Skrotum omtrek: 38cm

<p>HT 160060 SPN Mat. 94</p>	<p>HT 130010 SPN Mat. 117</p>	<p>JPL 090063 SPN Mat. 113</p> <p>JPL 060100 AFC 30 SPN Mat. 111 ICP 430 Age/Calv. 11/8 Avg. WI/Calv 100/8</p> <p>JMP 010116 SPN Mat. 93</p> <p>MPE 100055 AFC 34 SPN Mat. 83 ICP 409 Age/Calv. 8/6 RI 103 Avg. WI/Calv 98/6</p> <p>MPE 990009 AFC * SPN Mat. 53 ICP 363 Age/Calv. */6 Avg. WI/Calv 97/5</p>	<p>JPL 060105 JPL 010090 HP 010161 JPL 030013 BIS 960134 TWK 960179</p>
<p>HT 130010 SPN Mat. 117</p>	<p>JPL 090063 SPN Mat. 113</p>	<p>JPL 060100 AFC 30 SPN Mat. 111 ICP 430 Age/Calv. 11/8 Avg. WI/Calv 100/8</p>	<p>JPL 060105 JPL 010090 HP 010161 JPL 030013 BIS 960134 TWK 960179</p>

Lot 30
Skrotum omtrek: 34cm

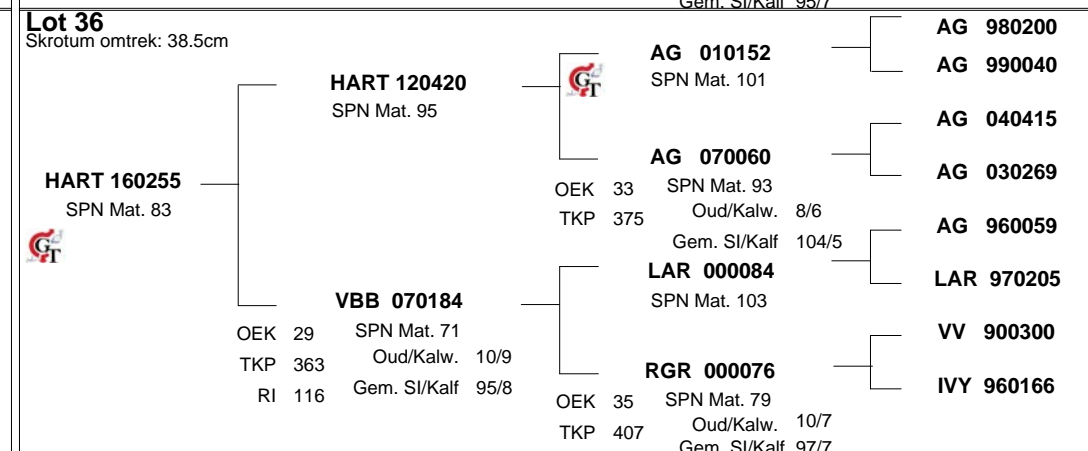
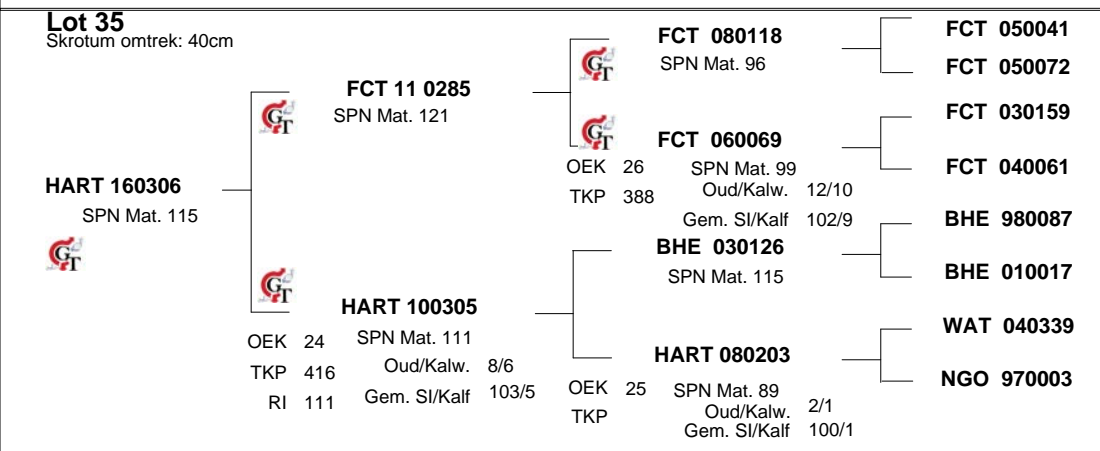
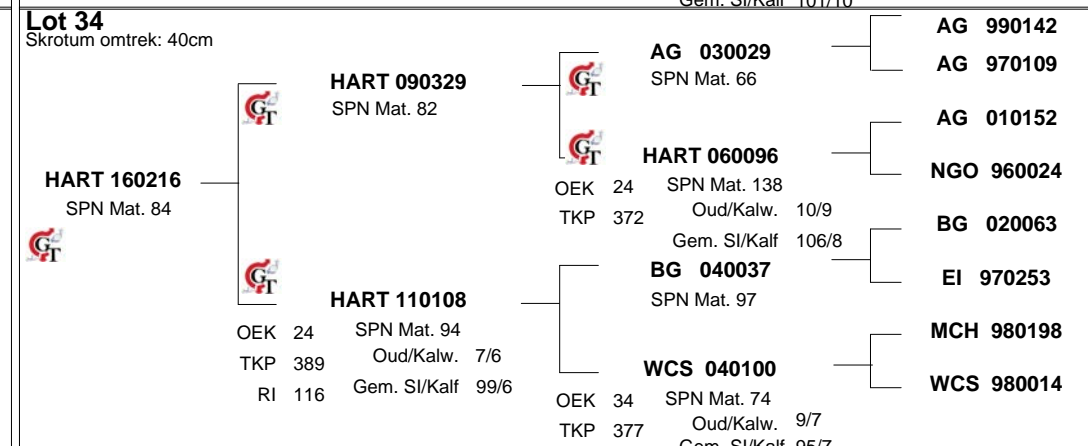
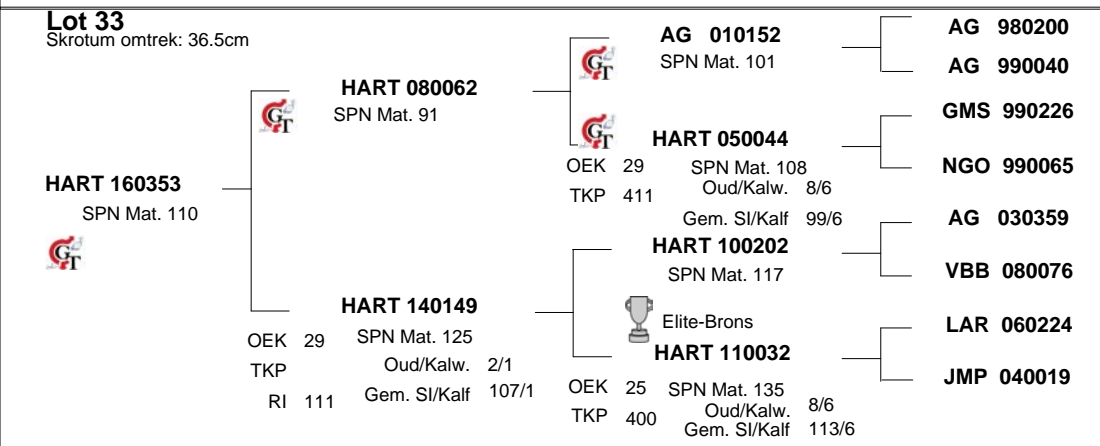
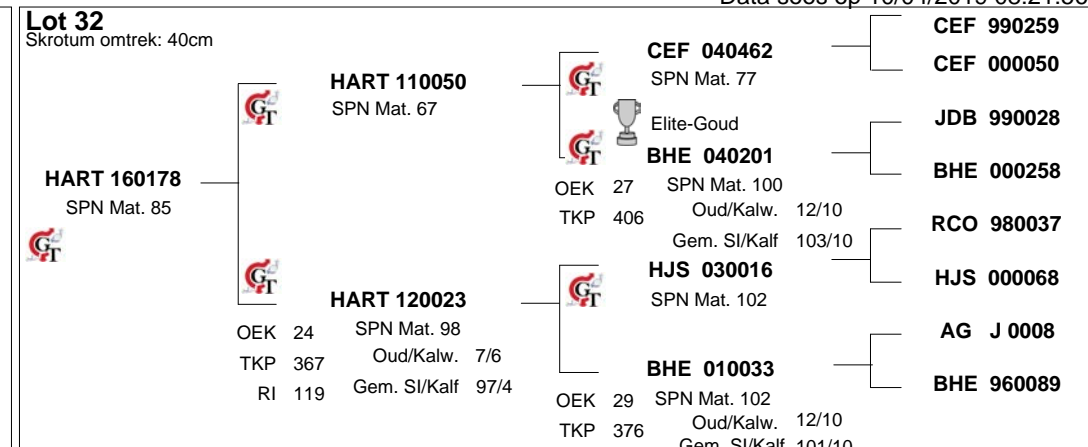
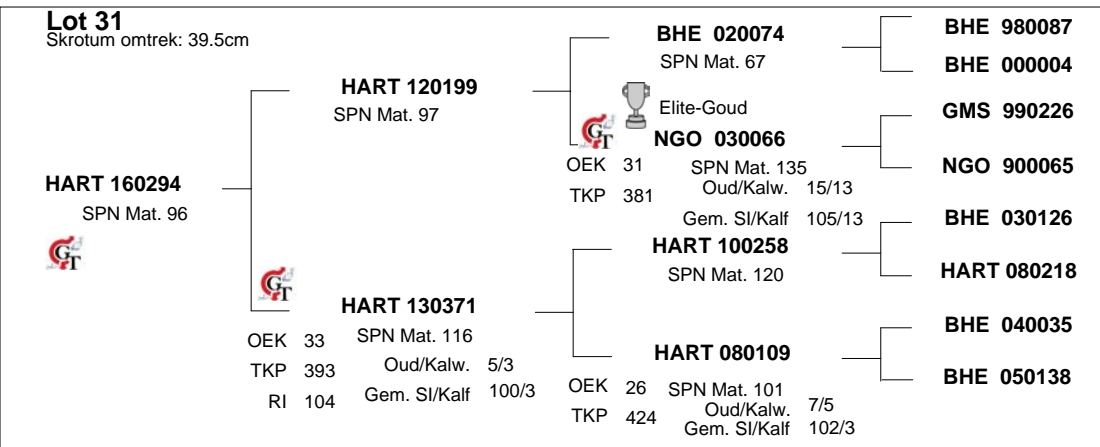
<p>HART 160305 SPN Mat. 100</p>	<p>FCT 11 0285 SPN Mat. 121</p>	<p>FCT 080118 SPN Mat. 96</p> <p>FCT 060069 AFC 26 SPN Mat. 99 ICP 388 Age/Calv. 12/10 Avg. WI/Calv 102/9</p> <p>LMR 050092 SPN Mat. 93 Gold</p> <p>HART 080270 AFC 26 SPN Mat. 84 ICP 394 Age/Calv. 9/7 Avg. WI/Calv 96/7</p>	<p>FCT 050041 FCT 050072 FCT 030159 FCT 040061 AG 970223 LMR 970027 AG 020027 EFC 030276</p>
<p>FCT 11 0285 SPN Mat. 121</p>	<p>HART 120072 AFC 25 SPN Mat. 91 ICP 409 Age/Calv. 7/5 RI 113 Avg. WI/Calv 101/5</p>	<p>FCT 080118 SPN Mat. 96</p>	<p>FCT 050041 FCT 050072 FCT 030159 FCT 040061 AG 970223 LMR 970027 AG 020027 EFC 030276</p>

BONSMARA BEESTELERSGENOOTSKAP VAN NAMIBIA

Saamgestel deur die Suid-Afrikaanse Stamboek- en Veeverbeteringsvereniging

Veilingsdatum: 17/04/2019

Data soos op 10/04/2019 08:21:56





BONSMARA CATTLE BREEDERS SOCIETY OF NAMIBIA

Compiled by the South African Stud Book and Livestock Improvement Association
Pedigree- and Performance data certified correct

Auction Date: 17/04/2019
Data as on 10/04/2019 08:22:01

Lot	Seller	ID	PARENTS	Test	Breeding Value Indexes											R:	Breeder Own Remarks			
					DIRECT CALF TRAITS		DAUGHTER TRAITS			GROWTH		EFF.	REP	MEASUREMENTS						
POLLED	SIRE GV PV	Gen	DAM GV PV	Genomic Tested DNA	Birth Dir		Wean Dir		Birth Mat	Wean Mat	Mat Wgt	Post Wean		ADG	FCR KLB	SC		Hgt	Lgt	LHR
					Wgt kg	Wgt kg	Ind	kg	kg	kg	365d Ind	540d Ind	Ind	Ind	(mm)	(mm)		(mm)	BWR	
				Birth Date	Wgt kg	Wgt kg	Ind	kg	kg	kg	365d Ind	540d Ind	Ind	Ind	(mm)	(mm)	(mm)	WWR		

BULLS

37	TRISTONE BUSINESS TRUST	HART 160274 HH SP	HART 090329	GT	100	113	95	98	118	112	101	83	109	102	121	1.2	Skrotum omtrek: 38.5cm	
			<input checked="" type="checkbox"/>	<input checked="" type="checkbox"/>		1.06	19.0	-0.02	3.0	30.0	29.6	96	-11	16.7	3	42		-
			VBB 080329	06.08.16	38	241	105	-	101	103	334	1246	1496	37.4				
38	TRISTONE BUSINESS TRUST	HART 160151 HH SP	HART 110213	GT	103	97	97	70	92	92	81	71	97	70	97	1.23	Skrotum omtrek: 36cm	
			<input checked="" type="checkbox"/>	<input checked="" type="checkbox"/>		0.81	12.0	-0.11	-4.6	1.0	16.2	6	13	6.8	-22	9		-
			HJB 040076	03.02.16	36	230	98	-	102	107	326	1105	1356	46.3				
39	TRISTONE BUSINESS TRUST	HART 160231 HH SP	HART 080082	GTg	119	73	104	94	60	68	82	95	87	60	75	1.17	Skrotum omtrek: 35cm	
			<input checked="" type="checkbox"/>	<input checked="" type="checkbox"/>		-0.87	1.7	-0.40	1.9	-33.0	0.1	13	-36	-0.7	-30	-21		-
			HART 140083	22.07.16	34	245	101	-	93	98	333	1165	1363	62.2				
40	TRISTONE BUSINESS TRUST	HART 160230 HH SP	FCT 11 0285	GTg	97	102	90	115	100	107	108	104	101	87	103	1.22	Skrotum omtrek: 37.5cm	
			<input checked="" type="checkbox"/>	<input checked="" type="checkbox"/>		1.44	14.1	0.21	7.6	10.0	26.0	127	-54	9.7	-8	17		-
			HART 120059	25.07.16	40	228	90	-	98	99	336	1193	1454	39.2				

1.10	13.4	-0.23	3.5	10	21.6	93	-47	9.3	2	13
------	------	-------	-----	----	------	----	-----	-----	---	----

NSMSMARA CATTLE BREEDERS SOCIETY OF NAMIBIA

Compiled by the South African Stud Book and Livestock Improvement Association

Auction Date: 17/04/2019

Data as on 10/04/2019 08:22:01

