

EXPLANATION OF ABBREVIATIONS IN CATALOGUE

VERDUIDELIKING VAN AFKORTINGS IN KATALOGUS

Calf traits	DIRECT CALF TRAITS	DIREKTE KALF EIENSKAPPE	Kalf eienskappe
Daughter traits	DAUGHTER TRAITS	DOGTER EIENSKAPPE	Dogter eienskappe
Growth traits	GROWTH	GROEI	Groei eienskappe
Efficiency traits	EFF	DOEL	Doeltreffendheids eienskappe
Reproduction traits	REPRODUCTION	REPRODUKSIE	Reproduksie eienskappe
Body measurements	MEASURE	MATES	Liggaamsmates
Lot number	Lot	Lot	Lotnommer
Ratio	R:	V:	Verhouding
Identification number	ID	ID	Identifikasienommer
Generation/Section of Herdbook	Gen	Gen	Generasie/Afdeling van kuddeboek
Weight in kilogram	Wgt kg	Gew kg	Gewig in kilogram
Index	Ind	Ind	Indeks
Accuracy of breeding value	Acc	Akk	Akkuraatheid van teelwaarde
Birth direct (kg)	Birth Dir	Geb Dir	Geboorte direk (kg)
Birth maternal (kg)	Birth Mat	Geb Mat	Geboorte maternaal (kg)
Wean direct (kg)	Wean Dir	Speen Dir	Speen direk (kg)
Wean maternal (kg)	Wean Mat	Speen Mat	Speen maternaal (kg)
Mature weight (kg)	Mature Wgt	Volw Gew	Volwasse gewig (kg)
365 Days (kg)	365d	365d	365 Dae (kg)
540 Days (kg)	540d	540d	540 Dae (kg)
Average daily gain (g/day)	ADG	GDT	Gemiddelde daaglikse toename (g/dag)
Feed conversion ratio	FCR	VOV	Voeromsetverhouding
Scrotal circumference (mm)	SC	SO	Skrotum omvang (mm)
Age First Calving	AFC	OEK	Ouderdom Eerste Kalwing
Inter Calving Period	ICP	TKP	Tussen Kalf Periode
Height (mm)	Hgt	Hgt	Hoogte (mm)
Length (mm)	Lgt	Lgt	Lengte (mm)
Length : Height ratio	LHR	HLV	Lengte : Hoogte verhouding
Birth weight : Cow weight ratio	BWR	GGV	Geboortegewig : Koeigewig verhouding
Wean weight : Cow weight ratio	WWR	SGV	Speengewig : Koeigewig verhouding
Age in years and months / Number of calvings	Age / Calv	Oud / Kalw	Ouderdom in jare en maande / Aantal kalwings
Average Wean index / Number of calves	Ave WI / Calf	Gem SI / Kalf	Gemiddelde Speenindeks / Aantal kalwers
Reproduction index	R.I.	R.I.	Reproduksie Indeks
Polled	Polled	Poena	Poena
Post Wean 365 days & Post Wean 540 days	PW365 & PW540	NS365 & NS540	Naspeen 365 dae & Naspeen 540 dae
Growth test & Growth test group	GT & GTg	GT & GTg	Groei Toets & Groeitoets groep
Central test	CT	ST	Sentrale toets
Kleiber Index	KLB	KLB	Kleiber Indeks
Ouerskap Verifikasie	OV	PV	Parentage Verification



BONSMARA CATTLE BREEDERS SOCIETY OF NAMIBIA

Compiled by the South African Stud Book and Livestock Improvement Association
Pedigree- and Performance data certified correct

Auction Date: 18/05/2018
Data as on 05/04/2018 12:19:49

Lot	Seller	ID	PARENTS	Test	Breeding Value Indexes											LHR	BWR	WWR	Semen Users	Breeder Own Remarks
					DIRECT CALF TRAITS		DAUGHTER TRAITS			GROWTH		EFF.	REP	MEASUREMENTS						
		POLLED	SIRE	LidCat	Birth Dir	Wean Dir	Birth Mat	Wean Mat	Mat Wgt	Post Wean	ADG	FCR KLB	SC	Hgt	Lgt					
		Gen	DAM	DNA	Acc	Acc	Acc	Acc	Acc	Acc	Acc	Acc	Acc	Acc	Acc	Acc	Acc	Acc		
			PV	DNA	Acc	Acc	Acc	Acc	Acc	Acc	Acc	Acc	Acc	Acc	Acc	Acc	Acc	Acc		
			PV	Birth Date	Wgt kg	Wgt kg	Ind	kg	kg	kg	365d Ind	540d Ind	Ind	Ind	(mm)	(mm)	(mm)			

BULLS

1	TRISTONE BUSINESS TRUST	HDT 150040 PP SP	MCU 120032	GT	85	112	89	107	126	111	113	104	113	98	113	1.22	Skrotum 37.5 cm
			P <input checked="" type="checkbox"/>	DNA	2.59	18.1	0.30	5.5	37.0	28.1	150	-55	19.0	0	31	8.54	
			HDT 03 0085 P	08.10.15	41	277	104	-	96	94	344	1196	1455	47.8			
2	TRISTONE BUSINESS TRUST	HART 150096 SP	HART 100219	GT	105	90	122	104	90	102	113	102	95	118	105	1.14	Skrotum 38.5 cm
			<input checked="" type="checkbox"/>	DNA	0.56	8.5	-1.18	4.7	-2.0	22.3	149	-52	4.9	16	19	-	
			HART 100259	27.01.15	36	237	95	-	108	108	315	1208	1377	46.5			
3	TRISTONE BUSINESS TRUST	HART 150125 SP	HART 11 0058	GT	95	98	108	97	82	100	107	95	109	103	102	1.16	Skrotum 42 cm
			<input checked="" type="checkbox"/>	DNA	1.52	11.9	-0.54	2.9	-10.0	20.8	122	-36	16.0	4	15	-	
			BHE 040145	25.02.15	36	222	101	-	98	100	341	1211	1403	44.2			
4	TRISTONE BUSINESS TRUST	HART 150349 SP	HART 090014	GTg	99	101	88	104	98	98	104	106	95	96	100	1.18	Skrotum 35.5 cm
			<input checked="" type="checkbox"/>	DNA	1.15	13.4	0.34	4.8	7.0	19.6	109	-61	5.0	-1	12	-	
			HART 120433	30.10.15	36	251	112	-	95	97	305	1205	1427	59.8			
5	TRISTONE BUSINESS TRUST	HART 150313 SP	HART 11 0058	GT	83	131	114	116	105	120	109	95	114	123	121	1.16	Skrotum 38 cm
			<input checked="" type="checkbox"/>	DNA	2.85	26.7	-0.84	7.9	15.0	34.3	131	-35	20.4	19	43	-	
			HART 110088	21.09.15	37	344	166	-	103	97	323	1268	1473	85.8			
6	TRISTONE BUSINESS TRUST	HART 150163 SP	HART 100238	PW540	84	121	105	103	104	124	125	102	115	119	126	-	Skrotum 38.5 cm
			<input checked="" type="checkbox"/>	DNA	2.75	22.1	-0.44	4.4	14.0	37.1	202	-50	20.6	17	50	-	
			HART 120295	18.06.15	36	282	106	100	100	-	-	-	-	-	57.9		

1.03	13	-0.19	3.6	9	20.9	91	-46	8.8	2	12
------	----	-------	-----	---	------	----	-----	-----	---	----

COMSMARA CATTLE BREEDERS SOCIETY OF NAMIBIA

Compiled by the South African Stud Book and Livestock Improvement Association

Auction Date: 18/05/2018

Data as on 05/04/2018 12:19:49

Lot 1
Skrotum 37.5 cm

HDT 150040

MCU 120032

MCU 070007

MCU 040057
AFC 31 Age/Calv. 12/10
ICP 385 Avg. WI/Calv 109/6

POL 970050

HDT 03 0085
AFC 24 Age/Calv. 13/11
ICP 400 Avg. WI/Calv 99/11
RI 112

HDT 990161
AFC * Age/Calv. */12
ICP 403 Avg. WI/Calv 103/12

JPL 040139


MCU 03 0040

DFJ 000029

MCU 010087

AG 930065

POL 920011

 Elite-Gold

Lot 2
Skrotum 38.5 cm

HART 150096

HART 100219

HART 100259
AFC 26 Age/Calv. 6/5
ICP 382 Avg. WI/Calv 99/5
RI 115

AG 030359

VBB 080059
AFC 29 Age/Calv. 10/8
ICP 380 Avg. WI/Calv 99/7

AG 030029

GBS 060113
AFC 25 Age/Calv. 9/8
ICP 360 Avg. WI/Calv 100/7

AG 000010

AG 010052

LAR 000084

EI 020012

AG 990142

AG 970109

JJF 970098

GBS 990041

Lot 3
Skrotum 42 cm

HART 150125

HART 11 0058

HJS 030016

HART 050004
AFC 29 Age/Calv. 11/9
ICP 375 Avg. WI/Calv 111/8

RCO 980037

BHE 040145
AFC 30 Age/Calv. 12/11
ICP 358 Avg. WI/Calv 96/10
RI 116

BHE 970013
AFC 29 Age/Calv. 14/11
ICP 434 Avg. WI/Calv 103/10

RCO 980037

HJS 000068

GMS 990226


NGO 990104

TBR 910704

RCO 950238

AG 920226

BHE 930001

 Elite-Gold

Lot 4
Skrotum 35.5 cm

HART 150349

HART 090014

HART 070124
AFC 17 Age/Calv. 3/2
ICP 468 Avg. WI/Calv 97/2

AG 02 0251
Gold

HART 120433
AFC 21 Age/Calv. 5/4
ICP 423 Avg. WI/Calv 104/3
RI 117

WAT 040339

WAT 020054

WAT 000072

AG 980338


NGO 990066

AG 980338

AG 950206

HJL 960168

JJF 960091

 Elite-Gold

Lot 5
Skrotum 38 cm

HART 150313

HART 11 0058

HJS 030016

HART 050004
AFC 29 Age/Calv. 11/9
ICP 375 Avg. WI/Calv 111/8

WAT 040339

HART 110088
AFC 26 Age/Calv. 6/4
ICP 448 Avg. WI/Calv 118/4
RI 107

BHE 040211
AFC 27 Age/Calv. 11/9
ICP 393 Avg. WI/Calv 107/8

RCO 980037

HJS 000068

GMS 990226


NGO 990104

WAT 020054

WAT 000072

RCO 980037

LDW 900052

 Elite-Gold

Lot 6
Skrotum 38.5 cm

HART 150163

HART 100238

HART 120295
AFC 21 Age/Calv. 5/4
ICP 381 Avg. WI/Calv 107/3
RI 122

AG 030359

VBB 080096
AFC 29 Age/Calv. 9/8
ICP 358 Avg. WI/Calv 104/8

AG 030029

GZV 060357
AFC 23 Age/Calv. 11/9
ICP 402 Avg. WI/Calv 105/8

AG 000010

AG 010052

FCT 000065


EI 980353

AG 990142

AG 970109

JH 990289

GZV 010076

 Elite-Gold

Lot	Verkoper	ID POENA Gen	OUERS VADER OV MOEDER OV	Toets LidCat DNS Geb. dat.	Teelwaarde indekse											LHV GGV SGV	Semen Gebruikers	Gebruiker Eie Opmerkings	
					DIREKTE KALF EIENSKAPPE		DOGTER EIENSKAPPE			GROEI		DOEL	REP	MATES					V:
					Nageslag Geboorte- gewig	Nageslag Speengewig	Gemak van Kalwing	Melk prod.	Volwas- se Gewig	Naspeen- gewig	Daaglikse Toename	Voer- omset		Hoogte & Lengte					
					Geb Dir	Speen Dir	Geb Mat	Speen Mat	Volw Gew	Naspeen	GDT	VOV KLB	SO	Hgt	Lgt				
					Akk	Akk	Akk	Akk	Akk	Akk	Akk	Akk	Akk	Akk	Akk	Akk			
					Gew kg	Gew kg	Ind	kg	kg	kg	365d Ind	540d Ind	Ind	Ind	(mm)	(mm)	(mm)		

BULLE

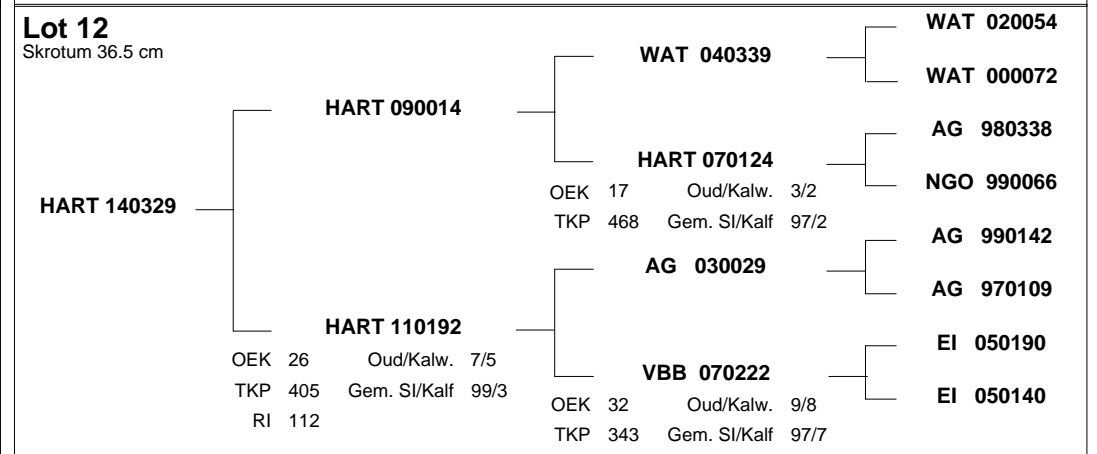
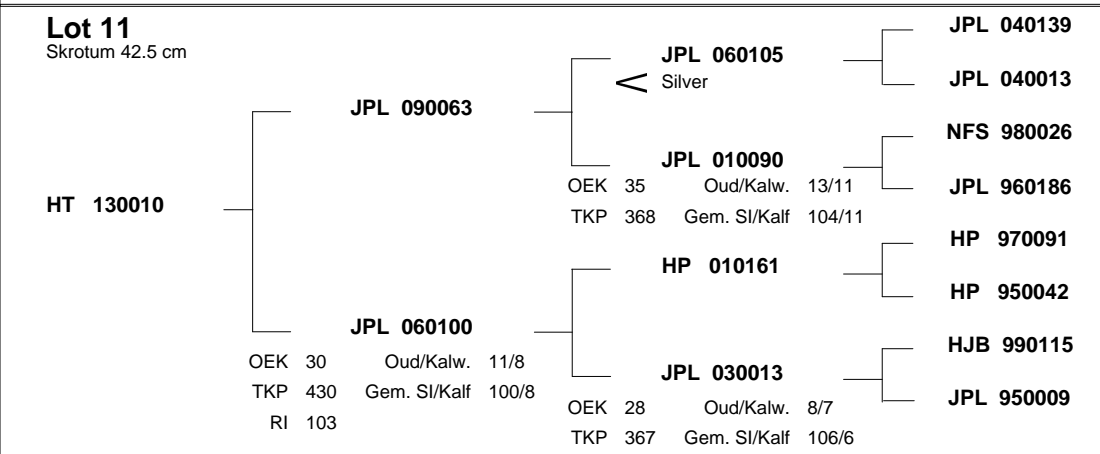
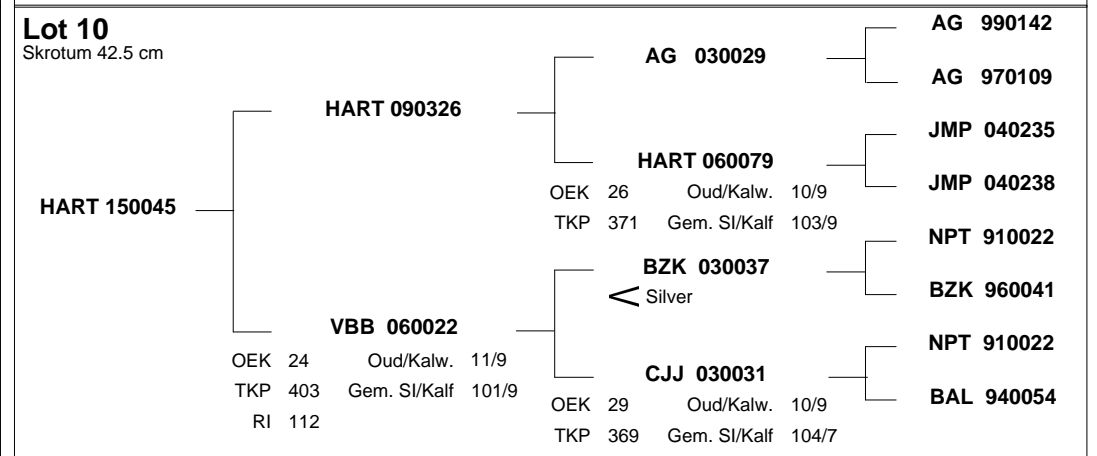
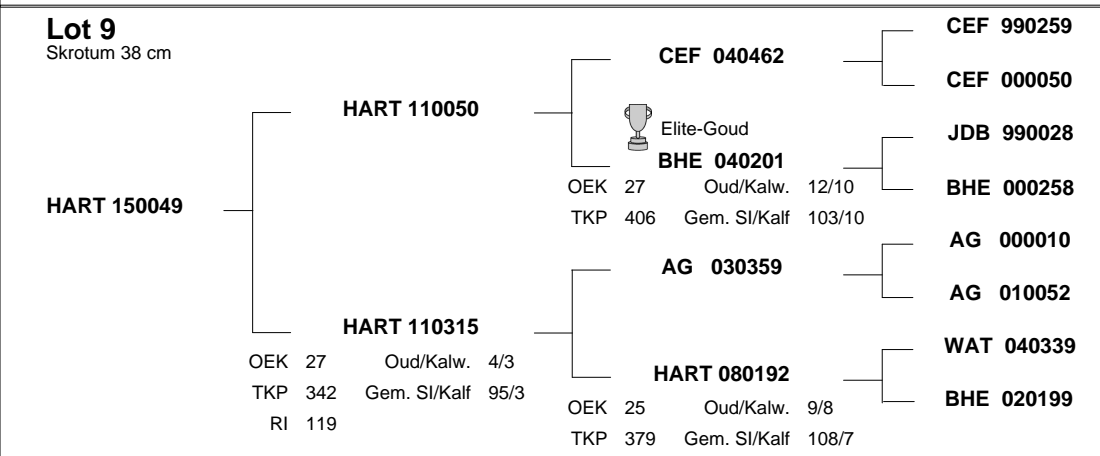
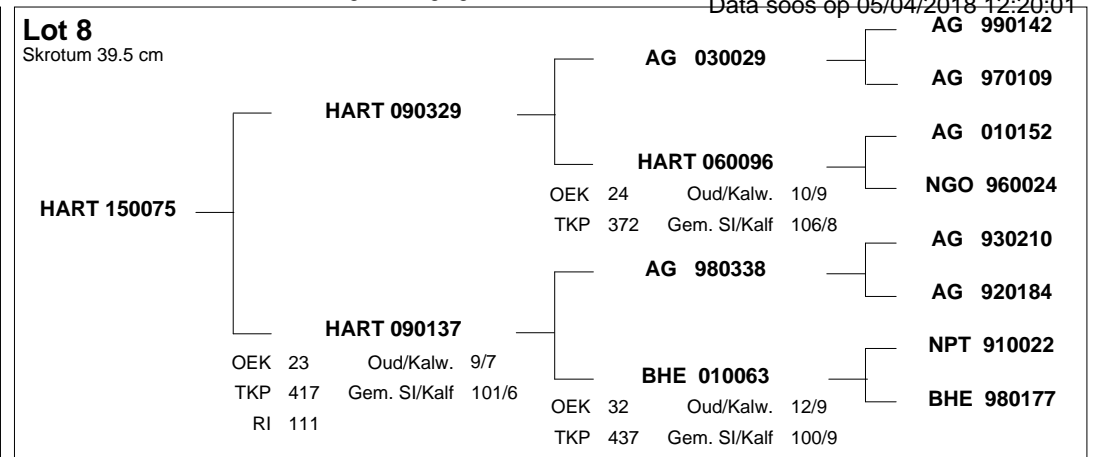
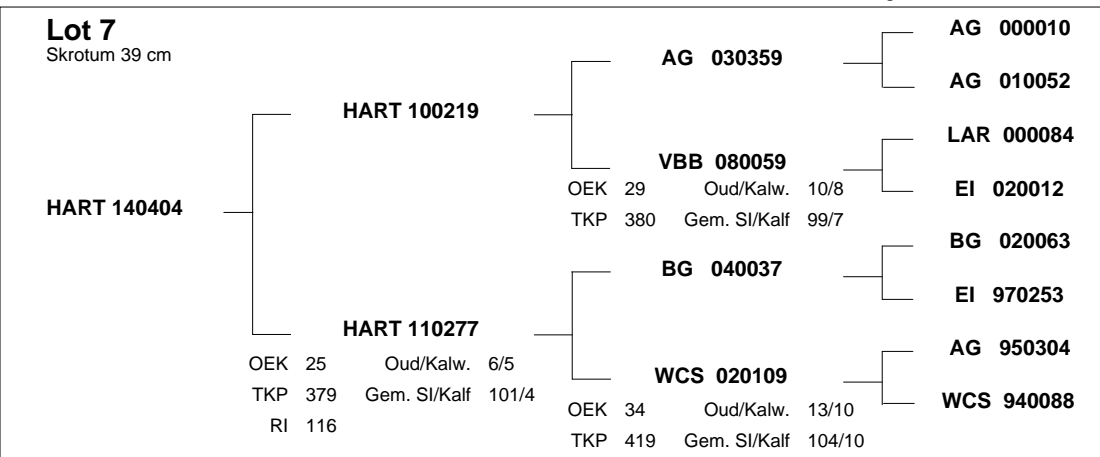
7	TRISTONE BUSINESS TRUST	HART 140404 SP	HART 100219	GTg	108	86	111	110	91	92	98	97	86	111	102	1.17	Skrotum 39 cm
			<input checked="" type="checkbox"/>	DNS	0.20	6.8	-0.68	6.3	0.0	15.5	80	-40	-2.3	10	15	-	
			HART 110277	28.12.14	34	235	95	-	100	99	313	1192	1393	48			
8	TRISTONE BUSINESS TRUST	HART 150075 SP	HART 090329	GT	109	112	95	77	101	116	103	85	98	101	126	1.21	Skrotum 39.5 cm
			<input checked="" type="checkbox"/>	DNS	0.10	18.1	0.05	-2.6	11.0	31.8	104	-12	7.3	3	49	-	
			HART 090137	19.01.15	33	268	111	-	104	102	319	1214	1473	49.3			
9	TRISTONE BUSINESS TRUST	HART 150049 SP	HART 110050	GT	90	104	104	95	76	107	111	100	106	98	113	1.19	Skrotum 38 cm
			<input checked="" type="checkbox"/>	DNS	2.10	14.9	-0.37	2.2	-16.0	25.7	141	-47	13.3	0	31	-	
			HART 110315	09.01.15	40	247	98	-	102	102	322	1170	1397	59.4			
10	TRISTONE BUSINESS TRUST	HART 150045 SP	HART 090326	GT	95	110	73	85	103	114	108	96	110	102	116	1.19	Skrotum 42.5 cm
			<input checked="" type="checkbox"/>	DNS	1.58	17.5	1.03	-0.5	12.0	30.3	125	-37	17.0	3	36	-	
			VBB 060022	07.01.15	40	272	110	-	108	100	344	1209	1436	50.6			
11	TRISTONE BUSINESS TRUST 2	HT 130010 PH SP	JPL 090063	GTg	86	104	107	97	102	102	118	114	125	106	100	1.14	Skrotum 42.5 cm
			<input checked="" type="checkbox"/>	DNS	2.54	14.5	-0.51	2.7	12.0	22.4	172	-79	29.2	6	12	-	
			JPL 060100	03.05.13	34	236	113	-	122	109	392	1211	1380	40			
12	TRISTONE BUSINESS TRUST	HART 140329 SP	HART 090014	GTg	102	92	98	75	87	94	94	91	90	85	101	1.23	Skrotum 36.5 cm
			<input checked="" type="checkbox"/>	DNS	0.78	9.4	-0.10	-3.0	-4.0	17.0	64	-26	1.0	-10	13	-	
			HART 110192	22.10.14	40	238	93	-	94	100	320	1189	1458	49.4			

SAAMSTARA BEESTERGENOOTSKAP VAN NAMIBIA

Saamgestel deur die Suid-Afrikaanse Stamboek- en Veeverbeteringsvereniging

Veilingsdatum: 18/05/2018

Data soos op 05/04/2018 12:20:01





BONSMARA CATTLE BREEDERS SOCIETY OF NAMIBIA

Compiled by the South African Stud Book and Livestock Improvement Association
Pedigree- and Performance data certified correct

Auction Date: 18/05/2018
Data as on 05/04/2018 12:20:06

Lot	Seller	ID	PARENTS	Test	Breeding Value Indexes											LHR	BWR	WWR	Semen Users	Breeder Own Remarks
					SIRE PV	LidCat	Birth Dir	Wean Dir	Birth Mat	Wean Mat	Mat Wgt	Post Wean	ADG	FCR KLB	SC					
		POLLED	DAM PV	DNA	Acc	Acc	Acc	Acc	Acc	Acc	Acc	Acc	Acc	Acc	Acc	Acc	Acc	Acc		
		Gen		Birth Date	Wgt kg	Wgt kg	Ind	kg	kg	kg	365d Ind	540d Ind	Ind	Ind	(mm)	(mm)	(mm)			

BULLS

13	TRISTONE BUSINESS TRUST	HART 150174	HART 090014	GT	115	93	97	81	84	92	100	102	91	88	97	1.18	Skrotum 36 cm
			<input checked="" type="checkbox"/>	DNA	-0.49	10.1	-0.07	-1.5	-8.0	15.6	91	-51	1.8	-7	7	-	
			HART 130142	26.06.15	30	250	103	-	93	95	305	1199	1417	58.1			
14	TRISTONE BUSINESS TRUST	HART 140372	HART 090014	GTg	114	88	99	90	77	93	106	105	87	91	93	1.12	Skrotum 37 cm
			<input checked="" type="checkbox"/>	DNA	-0.38	7.4	-0.13	0.8	-15.0	16.5	120	-58	-1.8	-5	2	9.07	
			HART 130085	23.12.14	33	232	102	-	106	102	309	1210	1350	61.1			
15	TRISTONE BUSINESS TRUST	HART 150249	HART 090014	GT	108	91	95	85	84	93	94	88	100	85	91	1.17	Skrotum 36 cm
			<input checked="" type="checkbox"/>	DNA	0.17	9.2	0.04	-0.4	-8.0	16.4	64	-20	9.1	-10	-1	-	
			HART 130206	18.08.15	34	252	102	-	105	106	326	1203	1406	63			
16	TRISTONE BUSINESS TRUST	HART 140385	HART 110186	GTg	91	120	81	117	103	126	122	96	121	113	127	1.23	Skrotum 44 cm
			<input checked="" type="checkbox"/>	DNA	1.95	22.0	0.65	8.2	12.0	38.4	190	-36	25.8	12	51	-	
			HART 060096	26.12.14	44	283	113	-	115	104	356	1230	1509	53.8			
17	TRISTONE BUSINESS TRUST	HART 150138	HART 11 0058	GT	88	112	111	108	107	114	101	94	100	97	106	1.2	Skrotum 38 cm
			<input checked="" type="checkbox"/>	DNA	2.27	18.4	-0.69	5.7	17.0	30.0	96	-33	8.9	0	21	-	
			AEJ 060090	06.03.15	36	231	106	-	112	107	310	1185	1418	40.8			
18	TRISTONE BUSINESS TRUST	HART 150094	HART 090326	GT	92	121	93	92	106	123	106	93	107	92	118	1.26	Skrotum 40 cm
			<input checked="" type="checkbox"/>	DNA	1.84	22.2	0.11	1.5	16.0	36.6	118	-29	14.3	-4	38	-	
			HART 070122	24.01.15	38	279	114	-	100	94	330	1166	1466	55.5			

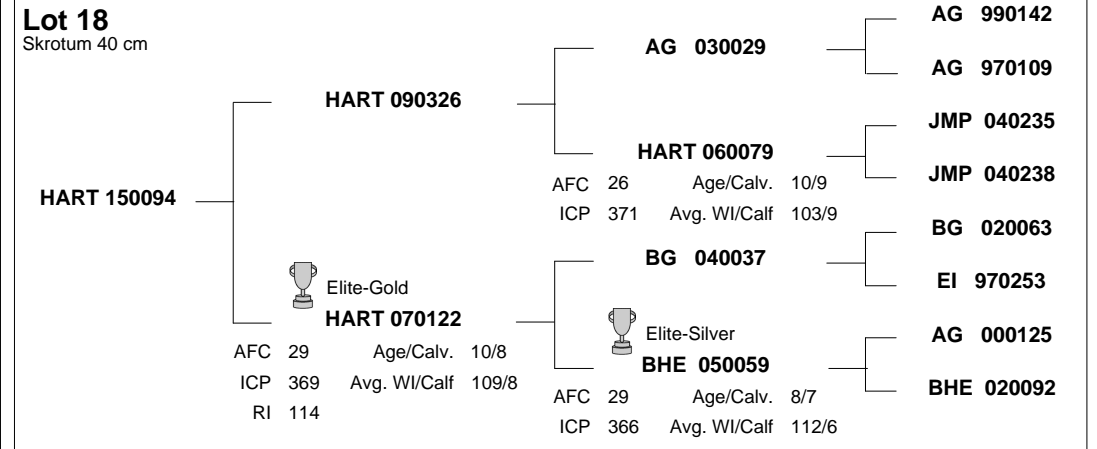
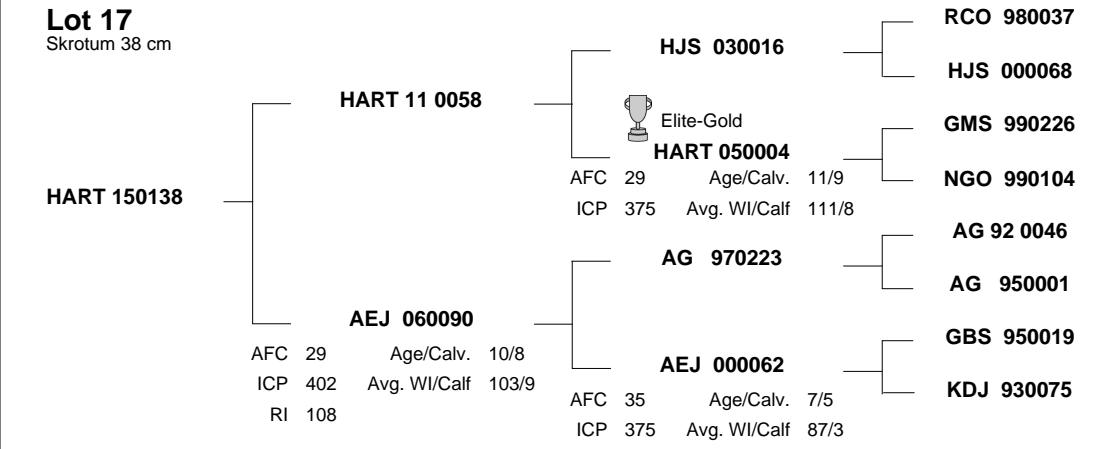
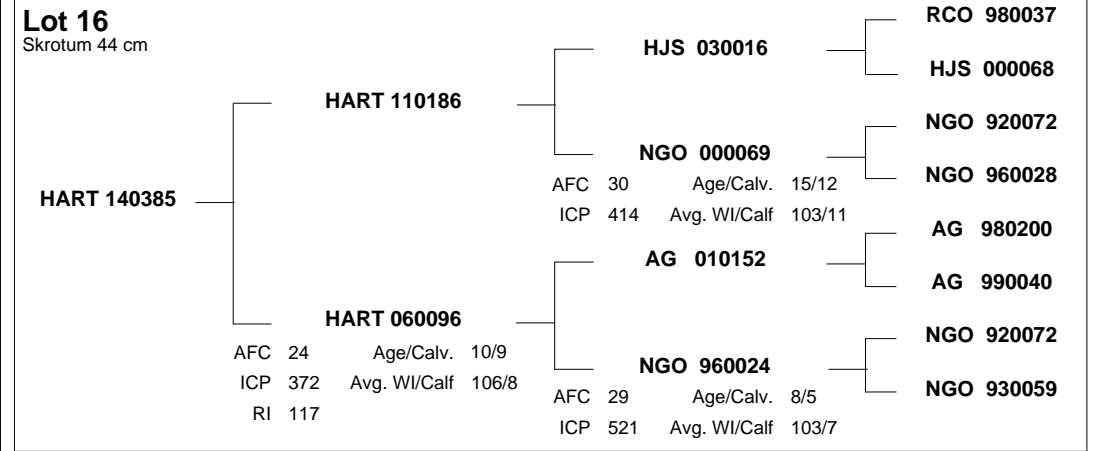
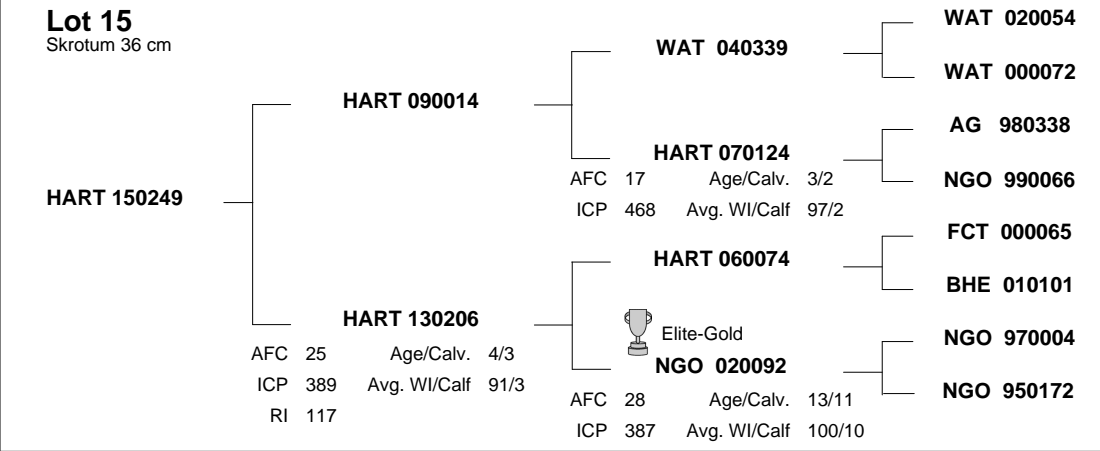
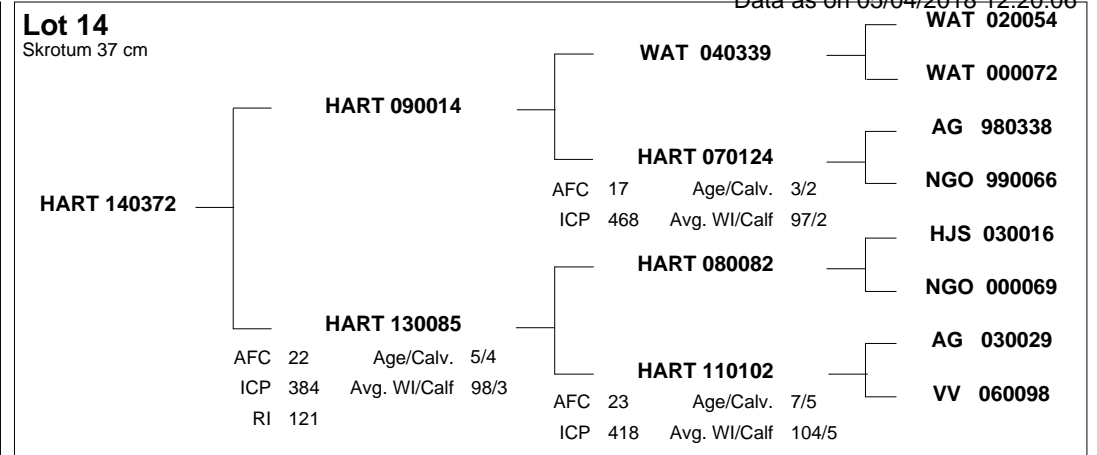
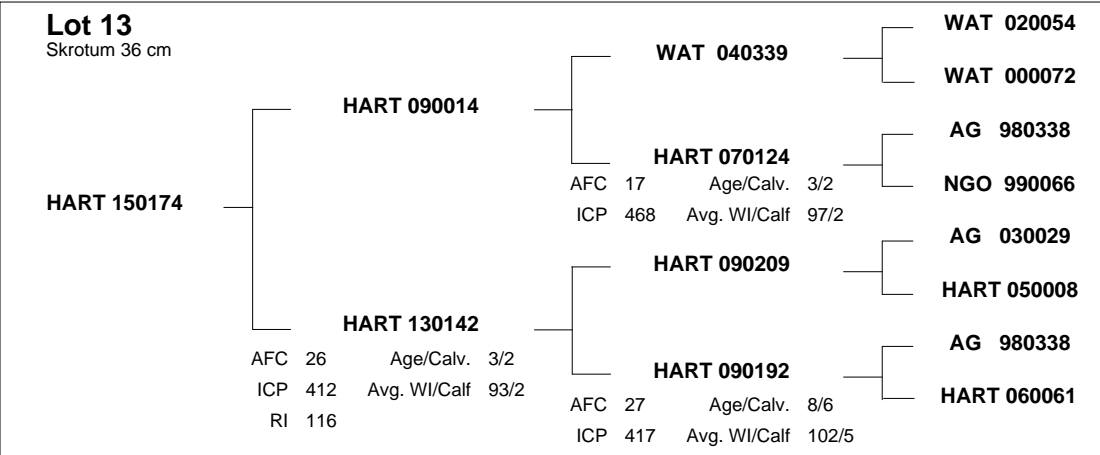
1.03	13	-0.19	3.6	9	20.9	91	-46	8.8	2	12
------	----	-------	-----	---	------	----	-----	-----	---	----

BONSMARA CATTLE BREEDERS SOCIETY OF NAMIBIA

Compiled by the South African Stud Book and Livestock Improvement Association

Auction Date: 18/05/2018

Data as on 05/04/2018 12:20:06





BONSMARA BEESTELERSGENOOTSAP VAN NAMIBIA

Saamgestel deur die Suid-Afrikaanse Stamboek- en Veeverbeteringsvereniging
Stamboom- en Prestasiedata korrek gesertifiseer

Veilingsdatum: 18/05/2018
Data soos op 05/04/2018 12:20:10

Lot	Verkoper	ID POENA Gen	OUERS		Toets LidCat DNS Geb. dat.	DIREKTE KALF EIENSKAPPE					DOGTER EIENSKAPPE			GROEI		DOEL	REP	MATES		V:	Semen Gebruikers	Gebruiker Eie Opmerkings
			VADER	MOEDER		Nageslag Geboortegewig	Nageslag Speengewig	Gemak van Kalwing	Melk prod.	Volwas-se Gewig	Naspeen-gewig	Daaglikse Toename	Voer-omset	Hoogte & Lengte								
			OV	OV		Geb Dir	Speen Dir	Geb Mat	Speen Mat	Volw Gew	Naspeen	GDT	VOV KLB	SO	Hgt			Lgt	LHV			

BULLE

19	TRISTONE BUSINESS TRUST	HART 150225 SP	HART 090329	GT	102	107	115	79	94	107	92	79	104	62	103	1.25	Skrotum 39.5 cm
			<input checked="" type="checkbox"/>	DNS	0.85	15.8	-0.86	-2.1	3.0	26.0	56	1	12.1	-27	16	-	
			HART 080054	30.07.15	34	224	103	-	98	103	345	1115	1393	33.2			
20	TRISTONE BUSINESS TRUST	HART 150035 SP	HART 090326	GT	113	87	90	79	71	91	104	98	111	75	100	1.19	Skrotum 36.5 cm
			<input checked="" type="checkbox"/>	DNS	-0.37	7.4	0.28	-2.1	-22.0	14.9	107	-42	17.8	-17	11	-	
			HART 090149	09.01.15	34	228	92	-	90	93	375	1160	1377	48.9			
21	TRISTONE BUSINESS TRUST	HART 150166 SP	HART 110050	GT	75	138	108	89	118	138	133	116	115	127	137	1.24	Skrotum 36.5 cm
			<input checked="" type="checkbox"/>	DNS	3.67	29.6	-0.54	0.6	29.0	46.6	239	-84	21.1	23	66	-	
			HART 120059	19.06.15	40	275	101	-	97	91	311	1226	1521	52.5			
22	TRISTONE BUSINESS TRUST	HART 150346 SP	HART 090329	GTg	100	103	100	89	96	108	90	72	112	79	110	1.21	Skrotum 42 cm
			<input checked="" type="checkbox"/>	DNS	1.07	14.5	-0.21	0.5	5.0	26.2	44	18	18.8	-14	27	-	
			HART 060073	15.10.15	38	233	101	-	105	104	362	1209	1468	44.8			
23	TRISTONE BUSINESS TRUST	HART 150284 SP	HART 110050	GT	96	106	105	78	103	108	110	108	113	90	102	1.19	Skrotum 37.5 cm
			<input checked="" type="checkbox"/>	DNS	1.44	15.8	-0.43	-2.5	13.0	26.0	136	-65	19.1	-6	15	-	
			HART 120293	29.08.15	35	260	97	-	95	98	348	1168	1390	53.5			
24	TRISTONE BUSINESS TRUST	HART 150103 SP	HART 100219	GT	95	100	107	111	97	107	111	103	104	123	104	1.11	Skrotum 42 cm
			<input checked="" type="checkbox"/>	DNS	1.53	12.8	-0.52	6.7	6.0	25.8	138	-53	11.9	20	17	-	
			HART 100151	01.02.15	37	235	94	-	109	112	334	1240	1380	40.2			

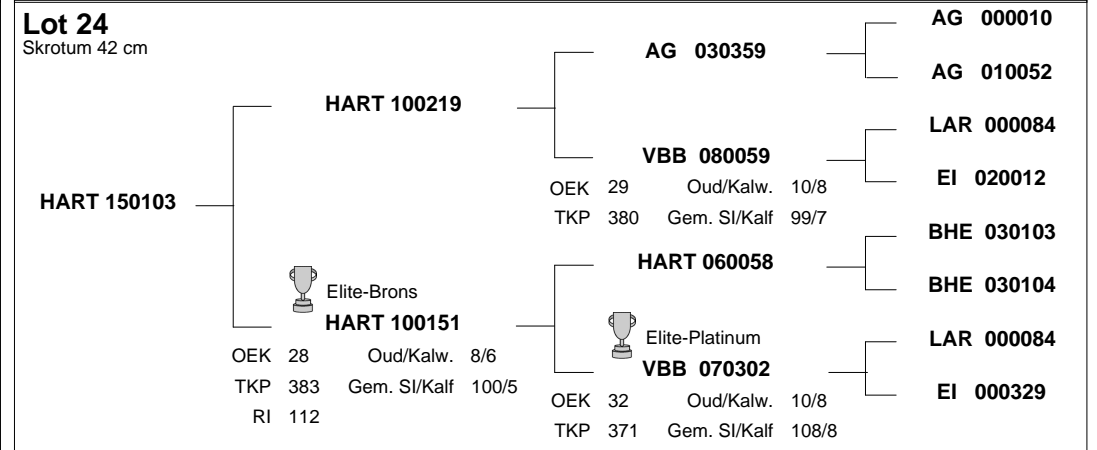
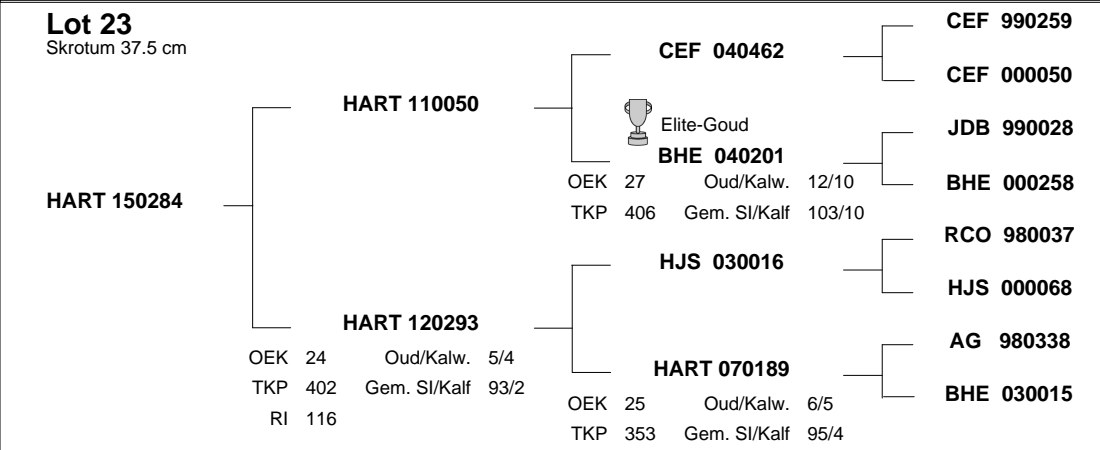
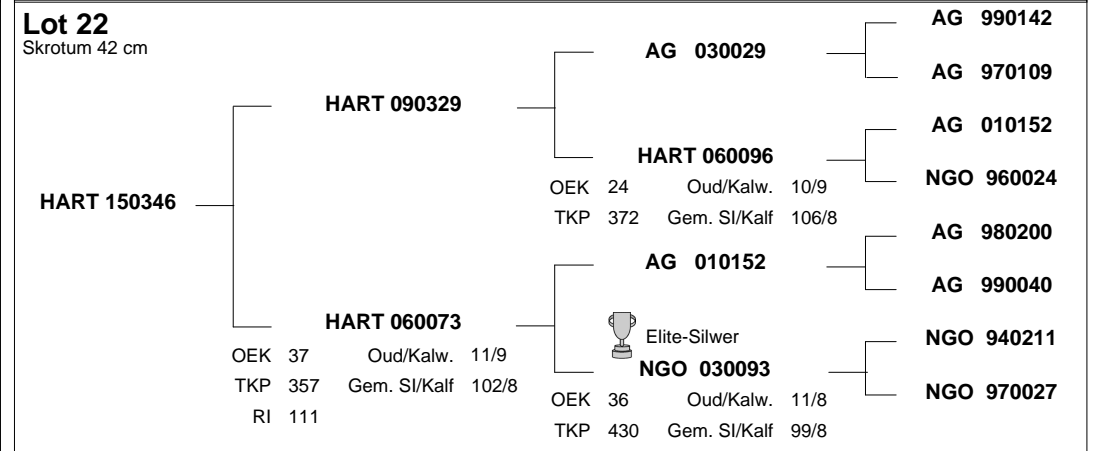
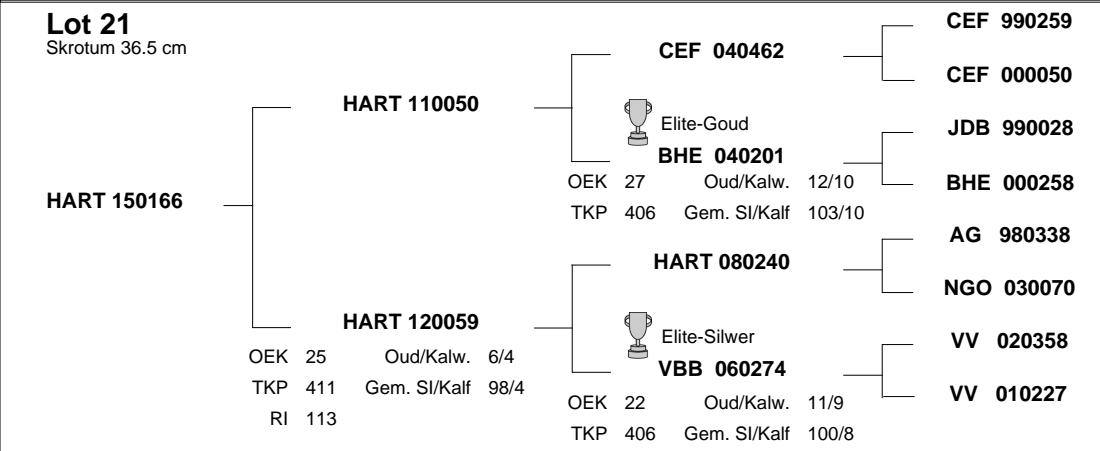
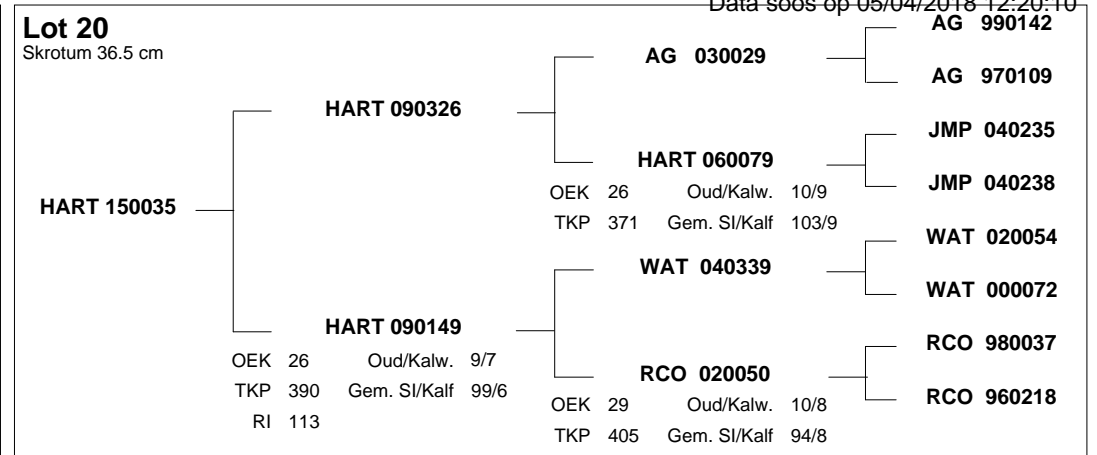
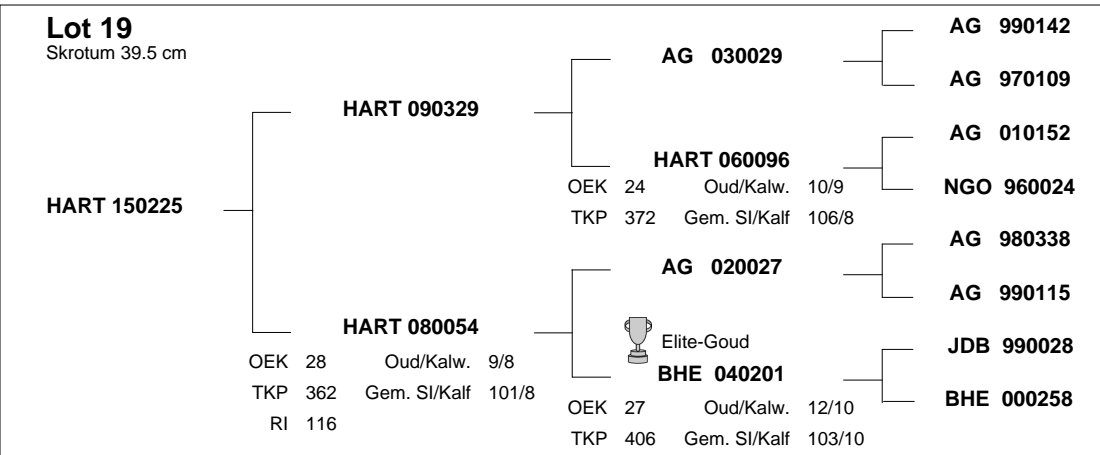
1.03	13	-0.19	3.6	9	20.9	91	-46	8.8	2	12
------	----	-------	-----	---	------	----	-----	-----	---	----

BONSMARA BEESTELERSGENOOTSKAP VAN NAMIBIA

Saamgestel deur die Suid-Afrikaanse Stamboek- en Veeverbeteringsvereniging

Veilingsdatum: 18/05/2018

Data soos op 05/04/2018 12:20:10





BONSMARA CATTLE BREEDERS SOCIETY OF NAMIBIA

Compiled by the South African Stud Book and Livestock Improvement Association
Pedigree- and Performance data certified correct

Auction Date: 18/05/2018
Data as on 05/04/2018 12:20:13

Lot	Seller	ID	PARENTS	Test	Breeding Value Indexes											LHR	BWR	WWR	Semen Users	Breeder Own Remarks
					SIRE PV	LidCat	Birth Dir	Wean Dir	Birth Mat	Wean Mat	Mat Wgt	Post Wean	ADG	FCR KLB	SC					
		POLLED	DAM PV	DNA	Acc	Acc	Acc	Acc	Acc	Acc	Acc	Acc	Acc	Acc	Acc	Acc	Acc	Acc		
		Gen		Birth Date	Wgt kg	Wgt kg	Ind	kg	kg	kg	365d Ind	540d Ind	Ind	Ind	(mm)	(mm)	(mm)			

BULLS

25	TRISTONE BUSINESS TRUST	HART 150279	HART 100238	GT	99	104	93	102	95	115	137	118	113	109	115	1.17	Skrotum 38.5 cm
			<input checked="" type="checkbox"/>	DNA	1.18	14.6	0.13	4.1	4.0	31.2	256	-88	19.6	9	33	-	
			HART 120267	27.06.15	36	260	96	-	104	99	331	1230	1435	55.2			
26	TRISTONE BUSINESS TRUST	HART 150011	HART 100238	GT	88	104	97	95	106	119	115	95	106	102	113	1.19	Skrotum 42 cm
			<input checked="" type="checkbox"/>	DNA	2.30	14.8	-0.07	2.3	15.0	33.9	158	-34	13.9	3	31	-	
			HART 110002	04.01.15	40	233	91	-	114	111	341	1187	1415	38.7			
27	TRISTONE BUSINESS TRUST	HART 150317	AG 030359	GT	106	94	82	129	83	103	105	93	106	95	103	1.17	Skrotum 37.5 cm
			<input checked="" type="checkbox"/>	DNA	0.45	10.3	0.64	11.4	-9.0	22.6	113	-30	13.7	-2	16	-	
			BHE 020104	26.09.15	37	294	100	-	112	107	325	1231	1445	56.5			
28	TRISTONE BUSINESS TRUST	HART 150001	HART 110166	GTg	116	85	97	98	91	94	99	92	120	93	97	1.17	Skrotum 41 cm
			<input checked="" type="checkbox"/>	DNA	-0.66	6.5	-0.04	3.0	-1.0	16.9	86	-27	25.1	-3	7	-	
			WCS 020082	02.01.15	30	246	94	-	103	105	366	1193	1393	42.4			
29	TRISTONE BUSINESS TRUST	HT 150014 PH B	CEW 090009	GTg	106	96	85	117	102	102	104	99	105	102	113	1.25	Skrotum 39.5 cm
			<input checked="" type="checkbox"/>	DNA	0.39	11.3	0.48	8.1	12.0	22.6	107	-43	12.9	4	31	-	
			HT 090116 P	31.03.15	34	191	99	-	104	102	366	1214	1512	42.7			
30	TRISTONE BUSINESS TRUST	HART 150328	AG 030359	GTg	119	82	106	115	89	88	84	76	101	85	95	1.19	Skrotum 38 cm
			<input checked="" type="checkbox"/>	DNA	-0.91	5.1	-0.45	7.6	-2.0	12.9	20	10	9.9	-10	5	-	
			BHE 020101	08.10.15	31	231	104	-	115	112	329	1226	1465	50.7			

1.03	13	-0.19	3.6	9	20.9	91	-46	8.8	2	12
------	----	-------	-----	---	------	----	-----	-----	---	----

BSNSMARA CATTLE BREEDERS SOCIETY OF NAMIBIA

Compiled by the South African Stud Book and Livestock Improvement Association

Auction Date: 18/05/2018

Data as on 05/04/2018 12:20:13

Lot 25
Skrotum 38.5 cm

HART 150279

HART 100238

HART 120267

AFC 21 Age/Calv. 3/2
ICP 366 Avg. WI/Calf 96/1
RI 130

AG 030359

VBB 080096

AFC 29 Age/Calv. 9/8
ICP 358 Avg. WI/Calf 104/8

HJS 030016

HJB 040266

AFC 31 Age/Calv. 11/9
ICP 390 Avg. WI/Calf 99/9

AG 000010

AG 010052

FCT 000065

EI 980353

RCO 980037

HJS 000068

AG 980338

HJB 950241

Lot 26
Skrotum 42 cm

HART 150011

HART 100238

HART 110002

AFC 24 Age/Calv. 7/6
ICP 366 Avg. WI/Calf 99/5
RI 119

AG 030359

VBB 080096

AFC 29 Age/Calv. 9/8
ICP 358 Avg. WI/Calf 104/8

AG 030029

HART 070060

AFC 23 Age/Calv. 10/9
ICP 360 Avg. WI/Calf 95/8

AG 000010

AG 010052

FCT 000065

EI 980353

AG 990142

AG 970109

AG 020275

AEJ 040138

Lot 27
Skrotum 37.5 cm

HART 150317

AG 030359

BHE 020104

Elite-Gold

AFC 31 Age/Calv. 13/10
ICP 424 Avg. WI/Calf 103/10
RI 103

AG 000010

AG 010052

AFC 30 Age/Calv. 12/9
ICP 412 Avg. WI/Calf 101/9

NPT 910022

BHE 950108

AFC 29 Age/Calv. 13/11
ICP 385 Avg. WI/Calf 106/11

AG 960184

AG 960062

AG 980338

AG 980112

JVD E 0075

NPT L 0129

AG 910130

BHE N 0137

Lot 28
Skrotum 41 cm

HART 150001

HART 110166

WCS 020082

AFC 35 Age/Calv. 13/10
ICP 421 Avg. WI/Calf 102/10
RI 101

AG 030359

HART 070183

AFC 26 Age/Calv. 10/9
ICP 336 Avg. WI/Calf 100/8

AG 940121

WCS 940049

AFC 37 Age/Calv. 10/8
ICP 360 Avg. WI/Calf 101/8

AG 000010

AG 010052

AEJ 030199

JMP 040222

AG D 0103

AG E 0039

AMF L 0320

WCS Z 0087

Lot 29
Skrotum 39.5 cm

HT 150014

CEW 090009

HT 090116

AFC * Age/Calv. */5
ICP 453 Avg. WI/Calf 110/5
RI 96

CSW 050017

CEW 06 0145

AFC 29 Age/Calv. 11/9
ICP 388 Avg. WI/Calf 108/8

BG 020058

CSW 030005

CEF 020479

DDJ 020041

AFC Age/Calv. /
ICP Avg. WI/Calf /

Lot 30
Skrotum 38 cm

HART 150328

AG 030359

BHE 020101

AFC 31 Age/Calv. 13/11
ICP 382 Avg. WI/Calf 101/10
RI 111

AG 000010

AG 010052

AFC 30 Age/Calv. 12/9
ICP 412 Avg. WI/Calf 101/9

RGR 970055

BHE 960135

AFC 30 Age/Calv. 8/6
ICP 404 Avg. WI/Calf 99/5

AG 960184

AG 960062

AG 980338

AG 980112

VV 900300

RGR 900066

AG 920226

LDW J 0150



BONSMARA BEESTELERSGENOOTSAP VAN NAMIBIA

Saamgestel deur die Suid-Afrikaanse Stamboek- en Veeverbeteringsvereniging
Stamboom- en Prestasiedata korrek gesertifiseer

Veilingsdatum: 18/05/2018
Data soos op 05/04/2018 12:20:18

Lot	Verkoper	ID POENA Gen	OUERS		Toets LidCat DNS Geb. dat.	DIREKTE KALF EIENSKAPPE					DOGTER EIENSKAPPE			GROEI		DOEL Voer-omset	REP	MATES			V: Hoogte & Lengte	LHV GGV SGV	Semen Gebruikers	Gebruiker Eie Opmerkings
			VADER OV	MOEDER OV		Geb Dir	Speen Dir	Geb Mat	Speen Mat	Volwas- se Gewig	Naspeen- gewig	Daaglikse Toename	Naspeen	GDT	VOV KLB			SO	Hgt	Lgt				
						Akk	Akk	Akk	Akk	Akk	Akk	Akk	Akk	Akk	Akk			Akk	Akk	Akk				
						Gew kg	Gew kg	Ind	kg	kg	kg	365d Ind	540d Ind	Ind	Ind	(mm)	(mm)	(mm)						

BULLE

31	TRISTONE BUSINESS TRUST	HART 150283 SP	HART 11 0058	GT	110	75	104	125	97	80	80	73	104	86	92	1.16	Skrotum 37 cm
			<input checked="" type="checkbox"/>	DNS	-0.03	1.8	-0.39	10.2	6.0	7.5	2	14	12.1	-9	0	-	
32	TRISTONE BUSINESS TRUST	HART 140374 SP	AG 030359	GTg	104	90	93	117	86	94	92	80	112	80	103	1.22	Skrotum 43 cm
			<input checked="" type="checkbox"/>	DNS	0.62	8.3	0.11	8.2	-6.0	17.0	53	0	18.7	-13	15	-	
33	TRISTONE BUSINESS TRUST	HART 150306 SP	HART 090329	GT	96	95	89	107	112	109	101	76	102	83	119	1.29	Skrotum 39 cm
			<input checked="" type="checkbox"/>	DNS	1.46	10.8	0.30	5.6	23.0	26.8	93	9	10.6	-11	40	-	
34	TRISTONE BUSINESS TRUST	HART 150070 SP	HART 100219	GT	101	102	98	112	105	107	123	119	98	121	103	1.11	Skrotum 37 cm
			<input checked="" type="checkbox"/>	DNS	0.95	13.8	-0.11	6.9	15.0	25.9	195	-90	7.5	18	16	-	
35	TRISTONE BUSINESS TRUST	HART 150107 SP	HART 110050	GT	77	127	108	81	116	124	113	102	103	126	126	1.16	Skrotum 37.5 cm
			<input checked="" type="checkbox"/>	DNS	3.43	24.7	-0.56	-1.4	27.0	37.2	148	-50	11.6	22	50	-	
36	TRISTONE BUSINESS TRUST	HART 150082 SP	HART 110050	GT	90	110	105	85	82	110	104	98	102	108	110	1.15	Skrotum 38 cm
			<input checked="" type="checkbox"/>	DNS	2.07	17.5	-0.43	-0.5	-10.0	27.3	107	-41	10.6	8	27	8.93	
			HART 120071		40	244	105			-	108	109	320	1205	1384	54.1	

1.03	13	-0.19	3.6	9	20.9	91	-46	8.8	2	12
------	----	-------	-----	---	------	----	-----	-----	---	----

SAAMGESTEL DEUR DIE SUID-AFRIKAANSE STAMBOEK- EN VEEVERBETERINGSVERENIGING

Veilingsdatum: 18/05/2018

Data soos op 05/04/2018 12:20:18

