

**EXPLANATION OF ABBREVIATIONS IN CATALOGUE**
**VERDUIDELIKING VAN AFKORTINGS IN KATALOGUS**

	DIRECT CALF TRAITS	DIREKTE KALF EIENSKAPPE	Kalf eienskappe
Calf traits	DIRECT CALF TRAITS	DIREKTE KALF EIENSKAPPE	Kalf eienskappe
Daughter traits	DAUGHTER TRAITS	DOGTER EIENSKAPPE	Dogter eienskappe
Growth traits	GROWTH	GROEI	Groei eienskappe
Efficiency traits	EFF	DOEL	Doeltreffendheids eienskappe
Reproduction traits	REPRODUCTION	REPRODUKSIE	Reproduksie eienskappe
Body measurements	MEASURE	MATES	Liggaamsmates
Lot number	Lot	Lot	Lotnommer
Ratio	R:	V:	Verhouding
Identification number	ID	ID	Identifikasienommer
Generation/Section of Herdbook	Gen	Gen	Generasie/Afdeling van kuddeboek
Weight in kilogram	Wgt kg	Gew kg	Gewig in kilogram
Index	Ind	Ind	Indeks
Accuracy of breeding value	Acc	Akk	Akkuraatheid van teelwaarde
Birth direct (kg)	Birth Dir	Geb Dir	Geboorte direk (kg)
Birth maternal (kg)	Birth Mat	Geb Mat	Geboorte maternaal (kg)
Wean direct (kg)	Wean Dir	Speen Dir	Speen direk (kg)
Wean maternal (kg)	Wean Mat	Speen Mat	Speen maternaal (kg)
Mature weight (kg)	Mature Wgt	Volw Gew	Volwasse gewig (kg)
365 Days (kg)	365d	365d	365 Dae (kg)
540 Days (kg)	540d	540d	540 Dae (kg)
Average daily gain (g/day)	ADG	GDT	Gemiddelde daaglikse toename (g/dag)
Feed conversion ratio	FCR	VOV	Voeromsetverhouding
Scrotal circumference (mm)	SC	SO	Skrotum omvang (mm)
Age First Calving	AFC	OEK	Ouderdom Eerste Kalwing
Inter Calving Period	ICP	TKP	Tussen Kalf Periode
Height (mm)	Hgt	Hgt	Hoogte (mm)
Length (mm)	Lgt	Lgt	Lengte (mm)
Length : Height ratio	LHR	HLV	Lengte : Hoogte verhouding
Birth weight : Cow weight ratio	BWR	GGV	Geboortegewig : Koeigewig verhouding
Wean weight : Cow weight ratio	WWR	SGV	Speengewig : Koeigewig verhouding
Age in years and months / Number of calvings	Age / Calv	Oud / Kalw	Ouderdom in jare en maande / Aantal kalwings
Average Wean index / Number of calves	Ave WI / Calf	Gem SI / Kalf	Gemiddelde Speenindeks / Aantal kalwers
Reproduction index	R.I.	R.I.	Reproduksie Indeks
Polled	Polled	Poena	Poena
Post Wean 365 days & Post Wean 540 days	PW365 & PW540	NS365 & NS540	Naspeen 365 dae & Naspeen 540 dae
Growth test & Growth test group	GT & GTg	GT & GTg	Groei Toets & Groeitoets groep
Central test	CT	ST	Sentrale toets
Kleiber Index	KLB	KLB	Kleiber Indeks
Ouerskap Verifikasie	OV	PV	Parentage Verification



# SONSMARA CATTLE BREEDERS SOCIETY OF NAMIBIA

Compiled by the South African Stud Book and Livestock Improvement Association  
Pedigree- and Performance data certified correct

Auction Date: 19/05/2017  
Data as on 20/04/2017 10:40:29

Lot	Seller	ID	PARENTS	Test	Breeding Value Indexes											LHR	BWR	WWR	Semen Users	Breeder Own Remarks
					DIRECT CALF TRAITS		DAUGHTER TRAITS			GROWTH		EFF.	REP	MEASUREMENTS						
		POLLED	SIRE	LidCat	Birth Dir	Wean Dir	Birth Mat	Wean Mat	Mat Wgt	Post Wean	ADG	FCR KLB	SC	Hgt	Lgt					
		Gen	DAM	DNA	Acc	Acc	Acc	Acc	Acc	Acc	Acc	Acc	Acc	Acc	Acc	Acc	Acc	Acc	Acc	
			PV	DNA	Wgt kg	Wgt kg	Ind	kg	kg	kg	365d Ind	540d Ind	Ind	Ind	(mm)	(mm)	(mm)			

## BULLS

1	HARTEBEESTLOOP STOET	HART 130252	AG 030359	GT	<b>108</b>	<b>94</b>	<b>102</b>	<b>106</b>	<b>88</b>	<b>101</b>	<b>114</b>	<b>102</b>	<b>122</b>	<b>99</b>	<b>104</b>	1.19		
			<input checked="" type="checkbox"/>	DNA	0.10	9.2	-0.25	5.5	-4.0	20.2	141	-43	23.4	0	18	-		
			HART 100176	02.09.13	33	265	<b>101</b>			-	<b>110</b>	108	379	1227	1455	53.2		
2	HARTEBEESTLOOP STOET	HART 140150	HART 100272	GTg	<b>97</b>	<b>97</b>	<b>95</b>	<b>111</b>	<b>87</b>	<b>102</b>	<b>107</b>	<b>102</b>	<b>93</b>	<b>81</b>	<b>85</b>	1.08		
			<input checked="" type="checkbox"/>	DNA	1.26	10.5	0.04	7.0	-5.0	20.2	113	-42	6.2	-12	-1	-		
			HART 110115	08.04.14	37	217	<b>98</b>			-	<b>112</b>	114	309	1185	1275	46.4		
3	HARTEBEESTLOOP STOET	HART 130301	AG 030359	GT	<b>113</b>	<b>85</b>	<b>101</b>	<b>109</b>	<b>86</b>	<b>89</b>	<b>96</b>	<b>87</b>	<b>112</b>	<b>87</b>	<b>86</b>	1.14		
			<input checked="" type="checkbox"/>	DNA	-0.43	5.1	-0.21	6.3	-6.0	11.9	64	-21	17.4	-8	-1	-		
			HART 100292	26.09.13	34	247	<b>93</b>			-	<b>107</b>	113	359	1218	1388	52.8		
4	HARTEBEESTLOOP STOET	HART 140318	HART 090055	GTg	<b>75</b>	<b>135</b>	<b>106</b>	<b>99</b>	<b>105</b>	<b>129</b>	<b>118</b>	<b>108</b>	<b>140</b>	<b>119</b>	<b>128</b>	1.24		
			<input checked="" type="checkbox"/>	DNA	3.57	27.3	-0.45	3.7	14.0	39.0	161	-52	33.6	15	43	-		
			HART 060098	14.10.14	33	273	<b>112</b>			-	<b>102</b>	94	378	1245	1544	49.8		
5	HARTEBEESTLOOP STOET	HART 130224	AG 010152	GT	<b>113</b>	<b>83</b>	<b>105</b>	<b>93</b>	<b>78</b>	<b>84</b>	<b>103</b>	<b>116</b>	<b>110</b>	<b>86</b>	<b>77</b>	1.12		
			<input checked="" type="checkbox"/>	DNA	-0.39	4.0	-0.43	1.9	-15.0	7.9	95	-63	16.2	-9	-9	-		
			HART 100140	27.07.13	33	265	<b>97</b>			-	<b>99</b>	103	352	1210	1359	52		
6	HARTEBEESTLOOP STOET	HART 110058	HJS 030016	GT	<b>87</b>	<b>112</b>	<b>94</b>	<b>122</b>	<b>109</b>	<b>123</b>	<b>124</b>	<b>99</b>	<b>120</b>	<b>117</b>	<b>123</b>	1.21		
			<input checked="" type="checkbox"/>	DNA	2.33	17.1	0.10	9.9	18.0	35.2	186	-38	21.9	13	38	-		
			HART 050004	27.01.11	43	285	<b>109</b>			-	<b>113</b>	106	339	1290	1558	44.8		

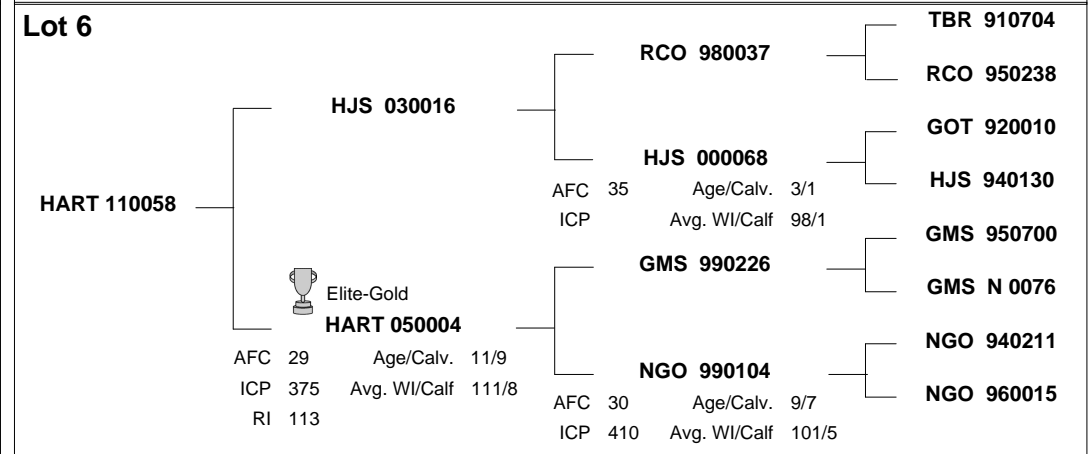
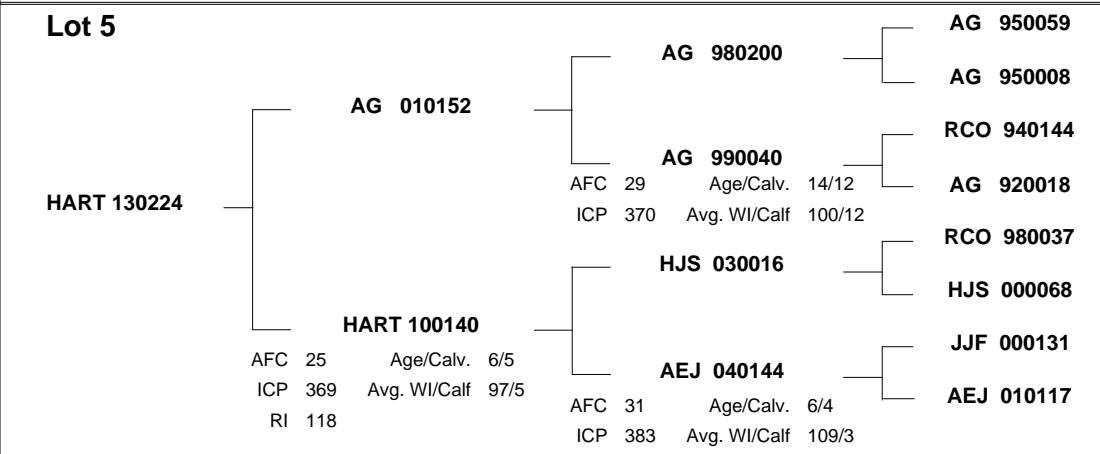
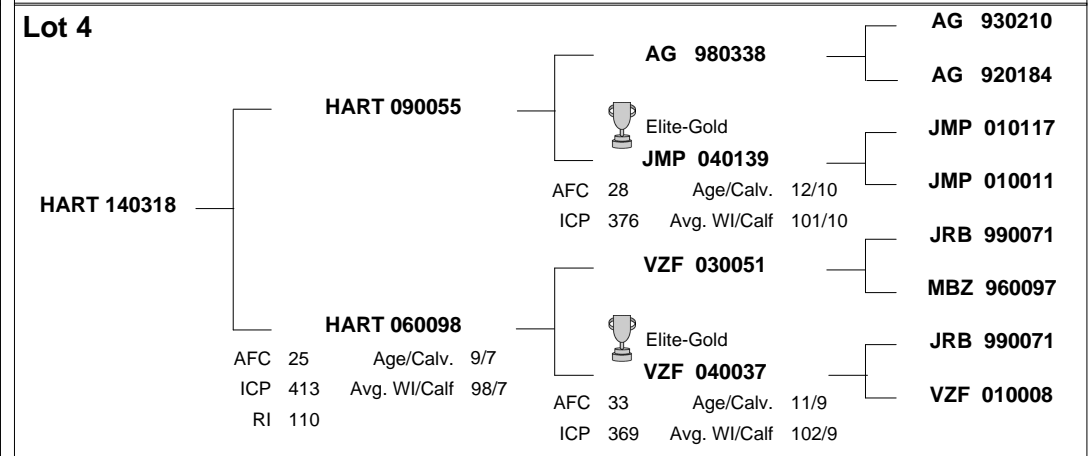
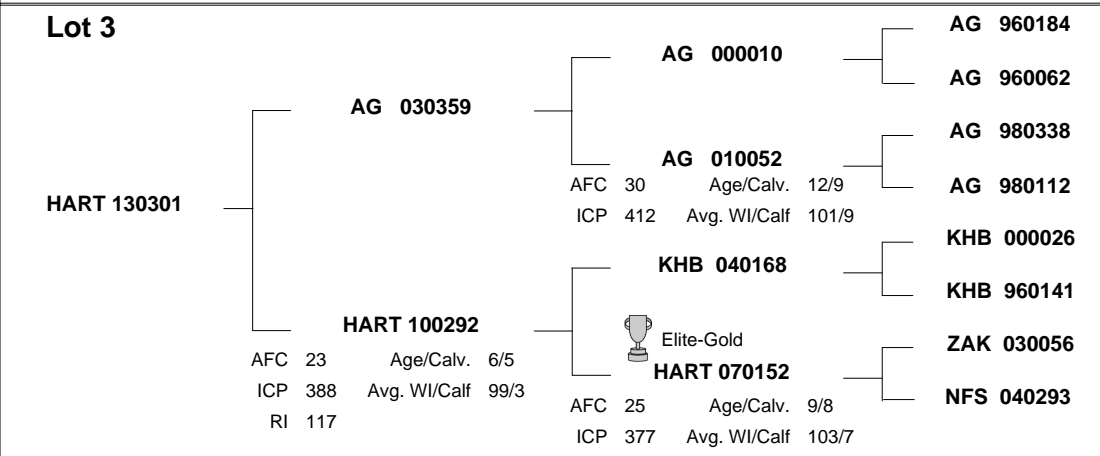
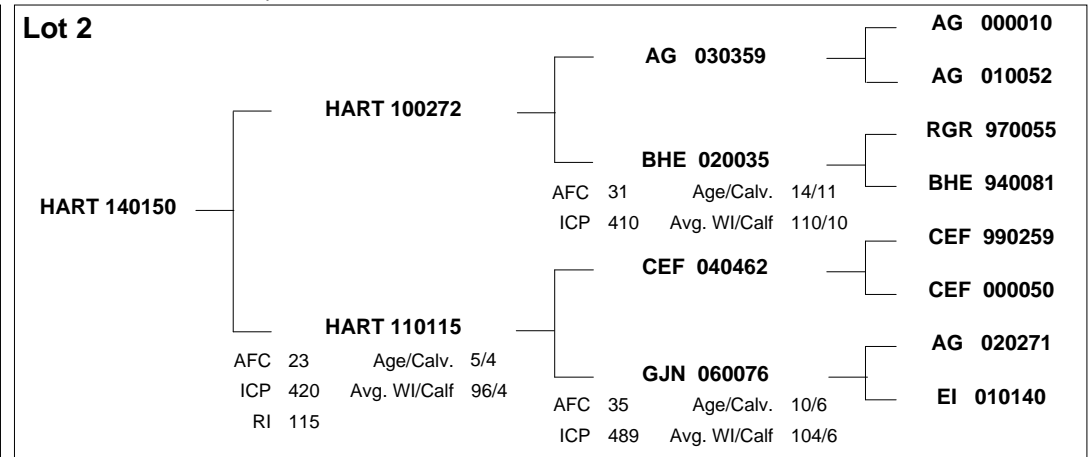
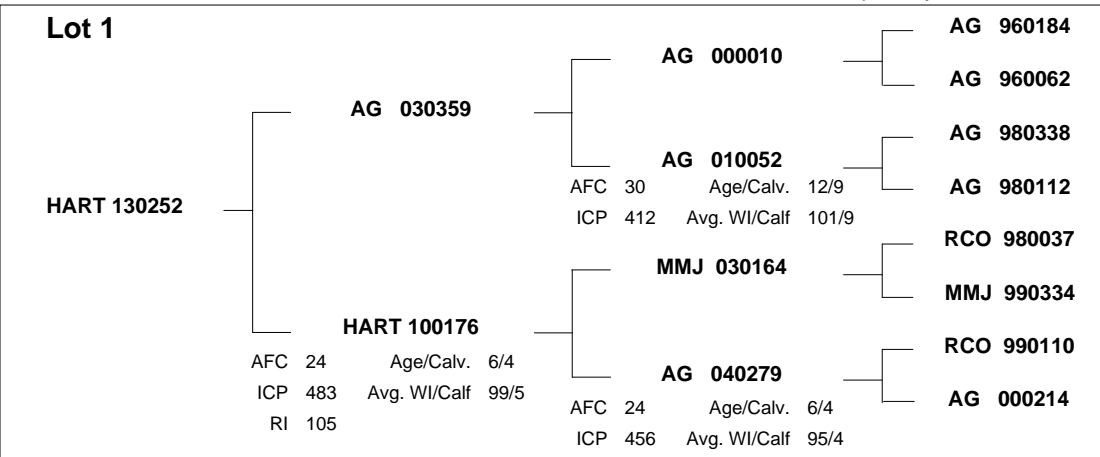
0.96	11.7	-0.18	3.9	8	19.2	83	-40	10.2	1	14
------	------	-------	-----	---	------	----	-----	------	---	----

# BONSMARA CATTLE BREEDERS SOCIETY OF NAMIBIA

Compiled by the South African Stud Book and Livestock Improvement Association

Auction Date: 19/05/2017

Data as on 20/04/2017 10:40:29





# BONSMARA BEESTLOOPTOESTAP VAN NAMIBIA

Saamgestel deur die Suid-Afrikaanse Stamboek- en Veeverbeteringsvereniging  
Stamboom- en Prestasiedata korrek gesertifiseer

Veilingsdatum: 19/05/2017  
Data soos op 20/04/2017 10:40:42

Lot	Verkoper	ID POENA Gen	OUERS		Teelwaarde indekse															Semen Gebruikers	Gebruiker Eie Opmerkings
			VADER OV	Toets LidCat	Geb Dir	Speen Dir	Geb Mat	Speen Mat	Volw Gew	Naspeen		GDT	VOV KLB	SO	Hgt	Lgt	LHV				
			MOEDER OV	DNS	Akk	Akk	Akk	Akk	Akk	Akk	Akk	Akk	Akk	Akk	Akk	Akk	Akk	Akk	GGV		
			Gen	Geb. dat.	Gew kg	Gew kg	Ind	kg	kg	kg	365d Ind	540d Ind	Ind	Ind	(mm)	(mm)	(mm)	SGV			

## BULLE

7	HARTEBEESTLOOP STOET	HART 140153	HART 100272	GTg	<b>92</b>	<b>100</b>	<b>97</b>	<b>121</b>	<b>92</b>	<b>108</b>	<b>114</b>	<b>120</b>	<b>93</b>	<b>89</b>	<b>93</b>	1.1		
		SP	<input checked="" type="checkbox"/>	DNS	1.79	11.9	-0.04	9.8	0.0	24.6	142	115	6.4	-6	7	8.3		
			HART 120001	08.04.14	41	291	<b>104</b>			-	<b>101</b>	97	307	1195	1320	62.2		
8	HARTEBEESTLOOP STOET	HART 140265	HART 100116	GTg	<b>91</b>	<b>114</b>	<b>110</b>	<b>112</b>	<b>110</b>	<b>116</b>	<b>104</b>	<b>89</b>	<b>91</b>	<b>102</b>	<b>118</b>	1.23		
		SP	<input checked="" type="checkbox"/>	DNS	1.90	18.1	-0.64	7.2	19.0	30.4	101	-24	4.8	3	32	-		
			AEJ 060163	02.09.14	41	264	<b>105</b>			-	<b>104</b>	98	319	1217	1496	48.7		
9	HARTEBEESTLOOP STOET	HART 140231	HART 110186	GTg	<b>84</b>	<b>114</b>	<b>88</b>	<b>112</b>	<b>92</b>	<b>116</b>	<b>122</b>	<b>123</b>	<b>113</b>	<b>119</b>	<b>107</b>	1.14		
		SP	<input checked="" type="checkbox"/>	DNS	2.65	17.8	0.39	7.2	0.0	30.3	178	-74	18.0	14	21	-		
			GJN 070080	09.08.14	40	228	<b>100</b>			-	<b>102</b>	100	353	1296	1478	44.4		
10	HARTEBEESTLOOP STOET	HART 130225	HART 090329	GT	<b>76</b>	<b>131</b>	<b>89</b>	<b>96</b>	<b>105</b>	<b>139</b>	<b>115</b>	<b>76</b>	<b>105</b>	<b>90</b>	<b>135</b>	1.29		
		SP	<input checked="" type="checkbox"/>	DNS	3.49	25.7	0.31	2.8	14.0	46.4	145	-4	13.3	-6	51	-		
			BHE 020153	05.08.13	45	314	<b>104</b>			-	<b>113</b>	100	325	1194	1544	51.8		
11	HARTEBEESTLOOP STOET	HART 140272	HART 080082	GTg	<b>109</b>	<b>86</b>	<b>89</b>	<b>89</b>	<b>69</b>	<b>87</b>	<b>95</b>	<b>109</b>	<b>84</b>	<b>72</b>	<b>69</b>	1.13		
		SP	<input checked="" type="checkbox"/>	DNS	-0.02	5.6	0.30	0.9	-25.0	9.9	62	-53	0.8	-18	-18	8.46		
			HART 120156	08.09.14	38	254	<b>101</b>			-	<b>100</b>	102	327	1210	1369	53.1		
12	HARTEBEESTLOOP STOET	HART 130354	AG 980338	GTg	<b>78</b>	<b>131</b>	<b>81</b>	<b>95</b>	<b>108</b>	<b>128</b>	<b>103</b>	<b>82</b>	<b>108</b>	<b>95</b>	<b>118</b>	1.21		
		SP	<input checked="" type="checkbox"/>	DNS	3.26	25.7	0.67	2.6	17.0	38.3	95	-14	14.9	-2	33	-		
			BHE 030070	29.10.13	47	298	<b>115</b>			-	<b>125</b>	115	351	1242	1501	43.8		

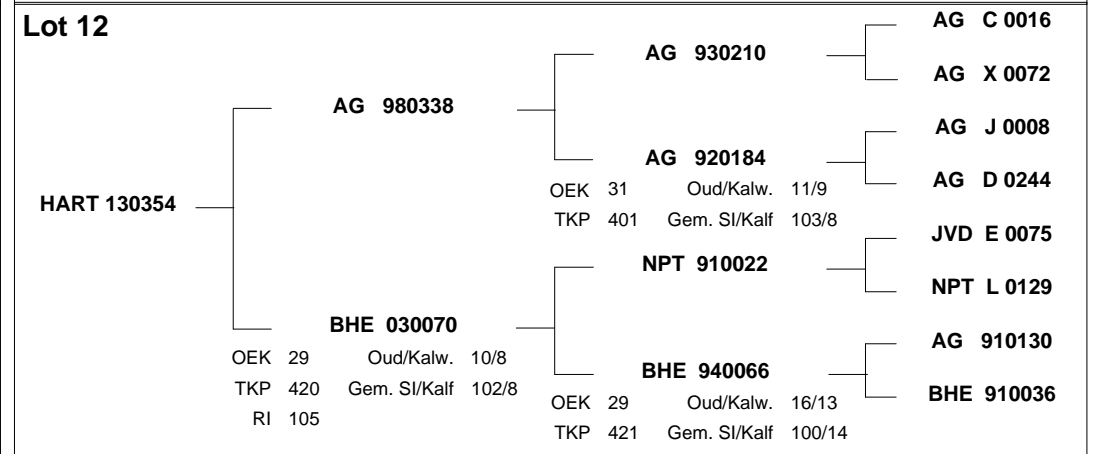
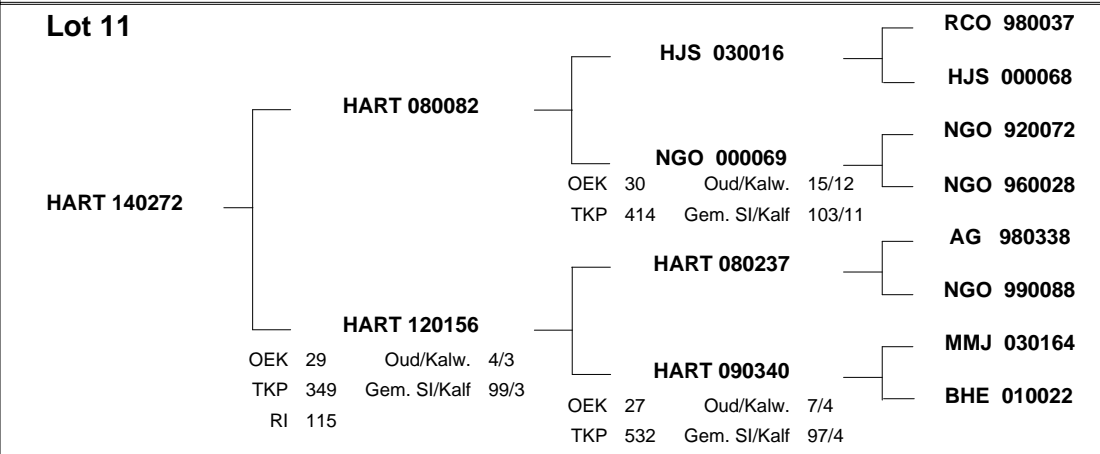
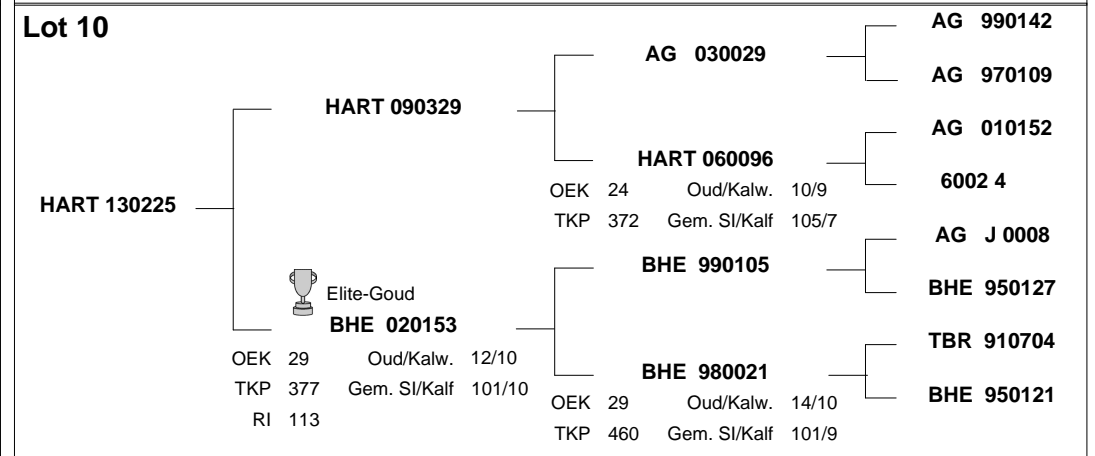
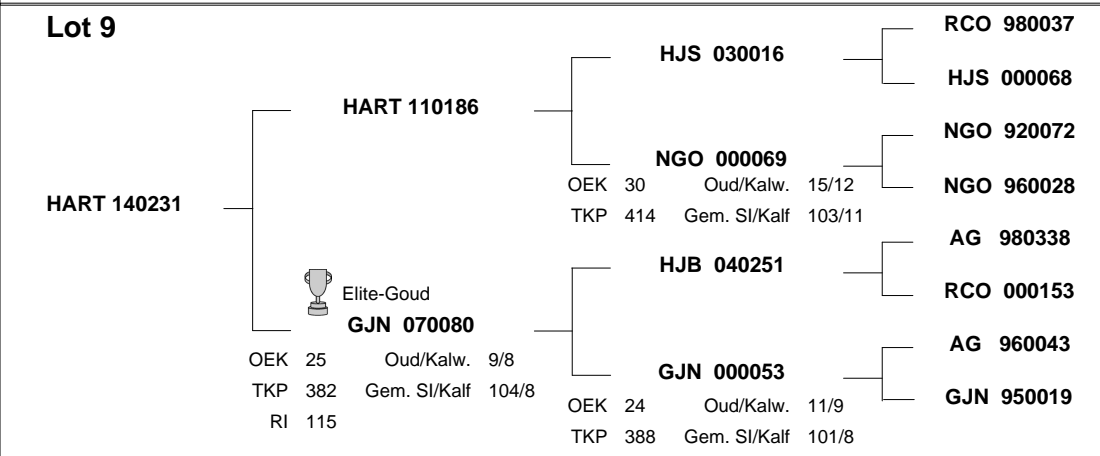
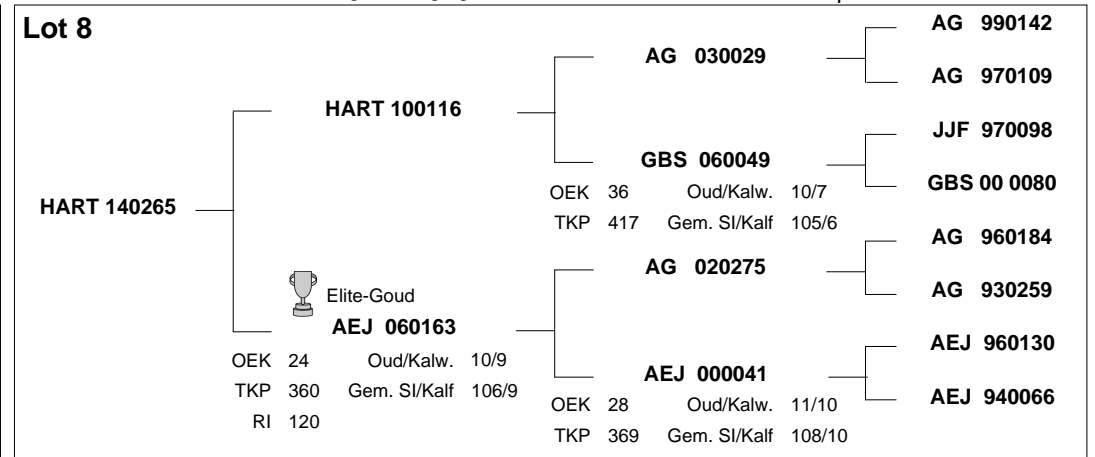
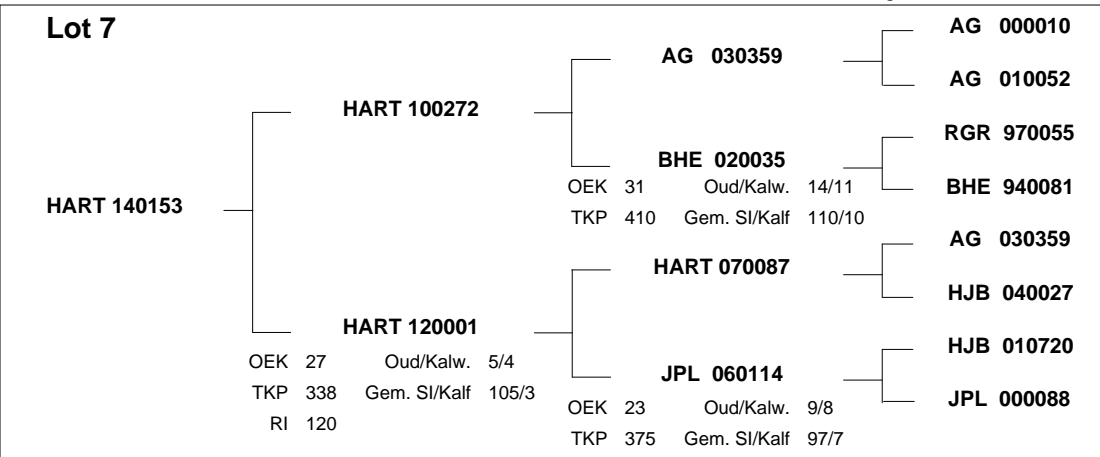
0.96	11.7	-0.18	3.9	8	19.2	83	-40	10.2	1	14
------	------	-------	-----	---	------	----	-----	------	---	----

# BONSMARA BEESTELERSGENOOTSAP VAN NAMIBIA

Saamgestel deur die Suid-Afrikaanse Stamboek- en Veeverbeteringsvereniging

Veilingsdatum: 19/05/2017

Data soos op 20/04/2017 10:40:42





# BONSMARA CATTLE BREEDERS SOCIETY OF NAMIBIA

Compiled by the South African Stud Book and Livestock Improvement Association  
Pedigree- and Performance data certified correct

Auction Date: 19/05/2017  
Data as on 20/04/2017 10:40:47

Lot	Seller	ID	PARENTS	Test	Breeding Value Indexes											R:	Semen Users	Breeder Own Remarks
					SIRE	LidCat	Birth Dir	Wean Dir	Birth Mat	Wean Mat	Mat Wgt	Post Wean	ADG	FCR	SC			
		POLLED	PV	DNA	Acc	Acc	Acc	Acc	Acc	Acc	Acc	Acc	Acc	Acc	Acc	Acc	BWR	
		Gen	PV	Birth Date	Wgt kg	Wgt kg	Ind	kg	kg	kg	365d Ind	540d Ind	Ind	Ind	(mm)	(mm)	(mm)	WWR

## BULLS

13	HARTEBEESTLOOP STOET	HART 130212	AG 010152	GT	<b>115</b>	<b>99</b>	<b>106</b>	<b>96</b>	<b>95</b>	<b>104</b>	<b>111</b>	<b>108</b>	<b>116</b>	<b>97</b>	<b>112</b>	1.23			
			<input checked="" type="checkbox"/>	DNA	-0.64	11.2	-0.48	2.9	4.0	22.0	130	-52	19.4	-1	26	-			
			HART 100198	05.07.13	27	286	<b>108</b>			-		<b>108</b>	103	339	1220	1497	50.8		
14	ERASMUS BONSMARA	ERH 140061	HART 090326	PW540	<b>98</b>	<b>100</b>	<b>91</b>	<b>84</b>	<b>83</b>	<b>100</b>	<b>103</b>	<b>89</b>	<b>113</b>	<b>94</b>	<b>106</b>	-			
			<input checked="" type="checkbox"/>	DNA	1.13	11.6	0.23	-0.5	-10.0	19.2	97	-24	17.6	-3	20	-			
			ERH 100077	08.06.14	35	218	<b>106</b>			107	102	-	-		-	-	51.7		
15	HARTEBEESTLOOP STOET	HART 130234	HART 090014	GT	<b>105</b>	<b>95</b>	<b>102</b>	<b>102</b>	<b>97</b>	<b>103</b>	<b>115</b>	<b>106</b>	<b>86</b>	<b>111</b>	<b>101</b>	1.13			
			<input checked="" type="checkbox"/>	DNA	0.42	9.7	-0.27	4.4	5.0	20.9	148	-48	1.9	9	15	-			
			AEJ 060213	14.08.13	36	264	<b>105</b>			-		<b>110</b>	103	323	1288	1449	43.4		
16	HARTEBEESTLOOP STOET	HART 140182	HART 090014	GTg	<b>94</b>	<b>110</b>	<b>97</b>	<b>104</b>	<b>98</b>	<b>117</b>	<b>124</b>	<b>111</b>	<b>109</b>	<b>113</b>	<b>123</b>	1.17			
			<input checked="" type="checkbox"/>	DNA	1.58	16.3	-0.05	5.0	6.0	30.9	184	-56	15.4	10	37	8.5			
			HART 120116	27.04.14	42	287	<b>102</b>			-		<b>100</b>	95	314	1219	1430	63.6		
17	HARTEBEESTLOOP STOET	HART 140214	HART 110186	GTg	<b>89</b>	<b>101</b>	<b>89</b>	<b>121</b>	<b>100</b>	<b>106</b>	<b>94</b>	<b>76</b>	<b>124</b>	<b>92</b>	<b>95</b>	1.21			
			<input checked="" type="checkbox"/>	DNA	2.12	12.0	0.30	9.7	8.0	23.6	58	-6	24.2	-5	9	-			
			HMB 100140	29.07.14	39	254	<b>120</b>			-		<b>113</b>	112	372	1211	1462	57.5		
18	HARTEBEESTLOOP STOET	HART 140204	HART 090014	GTg	<b>106</b>	<b>96</b>	<b>102</b>	<b>93</b>	<b>96</b>	<b>94</b>	<b>92</b>	<b>91</b>	<b>105</b>	<b>77</b>	<b>86</b>	1.21			
			<input checked="" type="checkbox"/>	DNA	0.33	9.7	-0.27	1.9	4.0	15.1	49	-26	13.3	-15	0	-			
			HART 110094	24.07.14	38	218	<b>101</b>			-		<b>108</b>	107	353	1199	1449	42.7		

0.96	11.7	-0.18	3.9	8	19.2	83	-40	10.2	1	14
------	------	-------	-----	---	------	----	-----	------	---	----

**Lot 13**

<p><b>HART 130212</b></p> <p>AFC 22    Age/Calv. 5/4 ICP 403    Avg. WI/Calv 104/3 RI 118</p>		<p><b>AG 010152</b></p> <p>AFC 29    Age/Calv. 14/12 ICP 370    Avg. WI/Calv 100/12</p>		<p><b>AG 980200</b></p> <p>AFC 29    Age/Calv. 14/12 ICP 370    Avg. WI/Calv 100/12</p>		<p><b>AG 950059</b></p> <p><b>AG 950008</b></p> <p><b>RCO 940144</b></p> <p><b>AG 920018</b></p> <p><b>DBT 030036</b></p> <p><b>VV 010212</b></p> <p><b>AG 030327</b></p> <p><b>AEJ 040108</b></p>
		<p><b>HART 100198</b></p> <p>AFC 34    Age/Calv. 9/7 ICP 389    Avg. WI/Calv 101/6</p>		<p><b>VBB 070088</b> Gold</p> <p><b>VBB 070387</b> Elite-Bronze</p>		

**Lot 14**

<p><b>ERH 140061</b></p> <p>AFC 30    Age/Calv. 5/3 ICP 404    Avg. WI/Calv 102/3 RI 107</p>		<p><b>HART 090326</b></p> <p>AFC 26    Age/Calv. 10/9 ICP 371    Avg. WI/Calv 104/8</p>		<p><b>AG 030029</b></p> <p><b>HART 060079</b></p> <p><b>HART 060074</b></p> <p><b>ERH 080016</b></p> <p>AFC 29    Age/Calv. 8/6 ICP 415    Avg. WI/Calv 105/6</p>		<p><b>AG 990142</b></p> <p><b>AG 970109</b></p> <p><b>JMP 040235</b></p> <p><b>JMP 040238</b></p> <p><b>FCT 000065</b></p> <p><b>BHE 010101</b></p> <p><b>ERH 040007</b></p> <p><b>ERH 060003</b></p>
--	--	---	--	---	--	---

**Lot 15**

<p><b>HART 130234</b></p> <p>AFC 23    Age/Calv. 10/9 ICP 358    Avg. WI/Calv 100/9 RI 120</p>		<p><b>HART 090014</b></p> <p>AFC 17    Age/Calv. 3/2 ICP 468    Avg. WI/Calv 97/2</p>		<p><b>WAT 040339</b></p> <p>AFC 17    Age/Calv. 3/2 ICP 468    Avg. WI/Calv 97/2</p>		<p><b>WAT 020054</b></p> <p><b>WAT 000072</b></p> <p><b>AG 980338</b></p> <p><b>NGO 990066</b></p> <p><b>AEJ 970106</b></p> <p><b>AEJ 030167</b></p> <p><b>AEJ 000041</b></p> <p><b>AEJ 940063</b></p> <p><b>AEJ 970129</b></p> <p>AFC 36    Age/Calv. 9/5 ICP 550    Avg. WI/Calv 106/4</p> <p><b>AEJ 940027</b></p>
		<p><b>AEJ 060213</b></p> <p>AFC 23    Age/Calv. 10/9 ICP 358    Avg. WI/Calv 100/9 RI 120</p>		<p><b>HART 070124</b></p> <p>AFC 17    Age/Calv. 3/2 ICP 468    Avg. WI/Calv 97/2</p>		

**Lot 16**

<p><b>HART 140182</b></p> <p>AFC 25    Age/Calv. 4/3 ICP 405    Avg. WI/Calv 104/3 RI 115</p>		<p><b>HART 090014</b></p> <p>AFC 17    Age/Calv. 3/2 ICP 468    Avg. WI/Calv 97/2</p>		<p><b>WAT 040339</b></p> <p>AFC 17    Age/Calv. 3/2 ICP 468    Avg. WI/Calv 97/2</p>		<p><b>WAT 020054</b></p> <p><b>WAT 000072</b></p> <p><b>AG 980338</b></p> <p><b>NGO 990066</b></p> <p><b>AG 980338</b></p> <p><b>NGO 030070</b></p> <p><b>HART 080240</b></p> <p><b>HART 120116</b></p> <p>AFC 25    Age/Calv. 4/3 ICP 405    Avg. WI/Calv 104/3 RI 115</p> <p><b>HART 050004</b> Elite-Gold</p> <p>AFC 29    Age/Calv. 11/9 ICP 375    Avg. WI/Calv 111/8</p> <p><b>GMS 990226</b></p> <p><b>NGO 990104</b></p>
---	--	---	--	--	--	--

**Lot 17**

<p><b>HART 140214</b></p> <p>AFC 29    Age/Calv. 6/4 ICP 402    Avg. WI/Calv 106/4 RI 109</p>		<p><b>HART 110186</b></p> <p>AFC 30    Age/Calv. 15/12 ICP 414    Avg. WI/Calv 103/11</p>		<p><b>HJS 030016</b></p> <p>AFC 30    Age/Calv. 15/12 ICP 414    Avg. WI/Calv 103/11</p>		<p><b>RCO 980037</b></p> <p><b>HJS 000068</b></p> <p><b>NGO 920072</b></p> <p><b>NGO 960028</b></p> <p><b>JRB H 0005</b></p> <p><b>HA 980090</b></p> <p><b>HA 920104</b></p> <p><b>HMB 980173</b></p> <p><b>HMB 030063</b></p> <p>AFC 38    Age/Calv. 9/7 ICP 354    Avg. WI/Calv 100/7</p> <p><b>HMB 940086</b></p>
		<p><b>HMB 100140</b></p> <p>AFC 29    Age/Calv. 6/4 ICP 402    Avg. WI/Calv 106/4 RI 109</p>		<p><b>NGO 000069</b></p> <p>AFC 30    Age/Calv. 15/12 ICP 414    Avg. WI/Calv 103/11</p>		

**Lot 18**

<p><b>HART 140204</b></p> <p>AFC 24    Age/Calv. 5/3 ICP 446    Avg. WI/Calv 115/2 RI 112</p>		<p><b>HART 090014</b></p> <p>AFC 17    Age/Calv. 3/2 ICP 468    Avg. WI/Calv 97/2</p>		<p><b>WAT 040339</b></p> <p>AFC 17    Age/Calv. 3/2 ICP 468    Avg. WI/Calv 97/2</p>		<p><b>WAT 020054</b></p> <p><b>WAT 000072</b></p> <p><b>AG 980338</b></p> <p><b>NGO 990066</b></p> <p><b>BG 020063</b></p> <p><b>BG 040037</b></p> <p><b>EI 970253</b></p> <p><b>HART 110094</b></p> <p>AFC 24    Age/Calv. 5/3 ICP 446    Avg. WI/Calv 115/2 RI 112</p> <p><b>WCS 020078</b></p> <p>AFC 38    Age/Calv. 11/9 ICP 363    Avg. WI/Calv 100/8</p> <p><b>AG 940121</b></p> <p><b>WCS 940042</b></p>
---	--	---	--	--	--	--



# BONSMARA BEESTBOODSKAP VAN NAMIBIA

Saamgestel deur die Suid-Afrikaanse Stamboek- en Veeverbeteringsvereniging  
Stamboom- en Prestasiedata korrek gesertifiseer

Veilingsdatum: 19/05/2017  
Data soos op 20/04/2017 10:40:53

Lot	Verkoper	ID	OUERS	Toets	Teelwaarde indeks											Semen Gebruikers	Gebruiker Eie Opmerkings						
					VADER	LidCat	Geb Dir		Speen Dir		Geb Mat	Speen Mat	Volwas Gew	Naspeen				GDT	VOV KLB	SO	Hgt	Lgt	LHV
							OV	DNS	Akk	Akk	Akk	Akk	Akk	Akk	Akk			Akk	Akk	Akk	Akk	Akk	Akk
Gen	MOEDER	OV	Geb. dat.	Gew kg	Gew kg	Ind	kg	kg	kg	365d Ind	540d Ind	Ind	Ind	(mm)	(mm)	(mm)	SGV						

## BULLE

19	ERASMUS BONSMARA	ERH 140063	HART 060074	NS540	<b>102</b>	<b>93</b>	<b>94</b>	<b>87</b>	<b>97</b>	<b>96</b>	<b>105</b>	<b>102</b>	<b>109</b>	<b>101</b>	<b>101</b>	-	
		SP	ERH 090013	10.06.14	0.79 77	8.6 73	0.11 58	0.1 58	5.0 50	16.4 59	105 53	-43 -43	15.3 56	2 56	15 55	-	42.9
20	HOCHFELDSTREEK BONSMARAS	HMB 140025	HMB 100143	GT	<b>106</b>	<b>107</b>	<b>98</b>	<b>107</b>	<b>123</b>	<b>116</b>	<b>102</b>	<b>100</b>	<b>100</b>	<b>69</b>	<b>97</b>	1.19	
		SP	HMB 060067	18.04.14	0.37 76	14.8 73	-0.11 52	5.8 50	32.0 27	30.3 60	91 62	65 62	10.4 71	-21 73	11 70	-	39.8
21	THE DE KLERK TRUST	DKT 140035	SB 070073	NS540	<b>95</b>	<b>102</b>	<b>82</b>	<b>94</b>	<b>99</b>	<b>100</b>	<b>95</b>	<b>108</b>	<b>105</b>	<b>95</b>	<b>90</b>	-	
		SP	IH 040079	01.05.14	1.49 75	12.7 72	0.65 56	2.3 55	7.0 45	19.4 54	62 46	-52 -52	13.1 49	-2 50	4 49	5.78	42.8
22	HARTEBEESTLOOP STOET	HART 140101	AG 030359	GTg	<b>103</b>	<b>90</b>	<b>96</b>	<b>108</b>	<b>87</b>	<b>96</b>	<b>103</b>	<b>105</b>	<b>110</b>	<b>78</b>	<b>84</b>	1.15	
		SP	HART 100324	09.03.14	0.68 77	7.0 74	-0.02 58	6.0 57	-6.0 47	16.4 64	97 66	-47 -47	16.4 74	-14 75	-3 72	-	48
23	HARTEBEESTLOOP STOET	HART 130324	ADV 060198	GT	<b>83</b>	<b>115</b>	<b>95</b>	<b>107</b>	<b>127</b>	<b>113</b>	<b>105</b>	<b>99</b>	<b>102</b>	<b>106</b>	<b>107</b>	1.18	
		SP	VBB 080329	12.10.13	2.79 77	18.3 72	0.04 56	5.9 55	37.0 43	28.2 62	105 66	-38 -38	11.3 74	6 75	21 73	-	43.6
24	ERASMUS BONSMARA	HART 140269	HART 110216	GTg	<b>93</b>	<b>118</b>	<b>81</b>	<b>109</b>	<b>115</b>	<b>138</b>	<b>109</b>	<b>74</b>	<b>119</b>	<b>127</b>	<b>137</b>	1.18	
		SP	HMB 100002	09.09.14	1.72 75	20.0 70	0.68 49	6.4 48	24.0 38	45.6 56	122 63	-2 -2	21.2 72	21 73	52 70	-	45

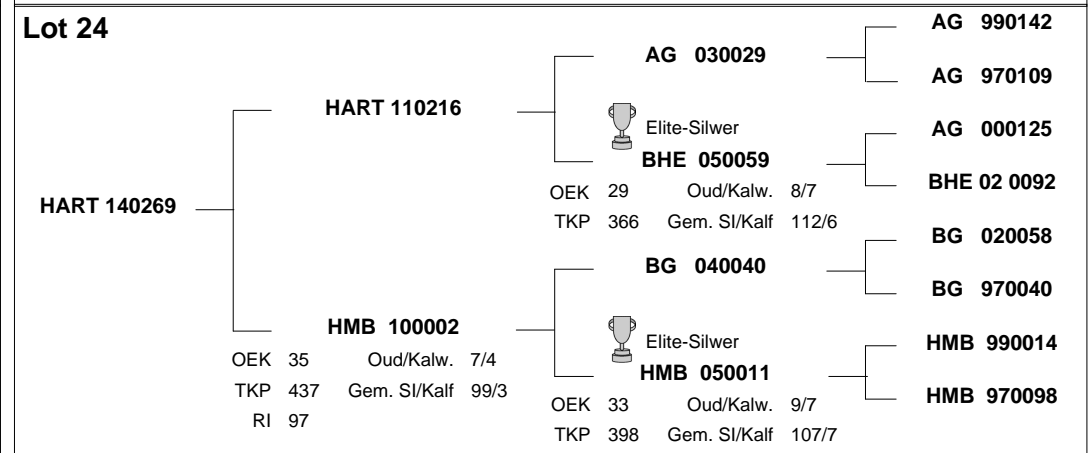
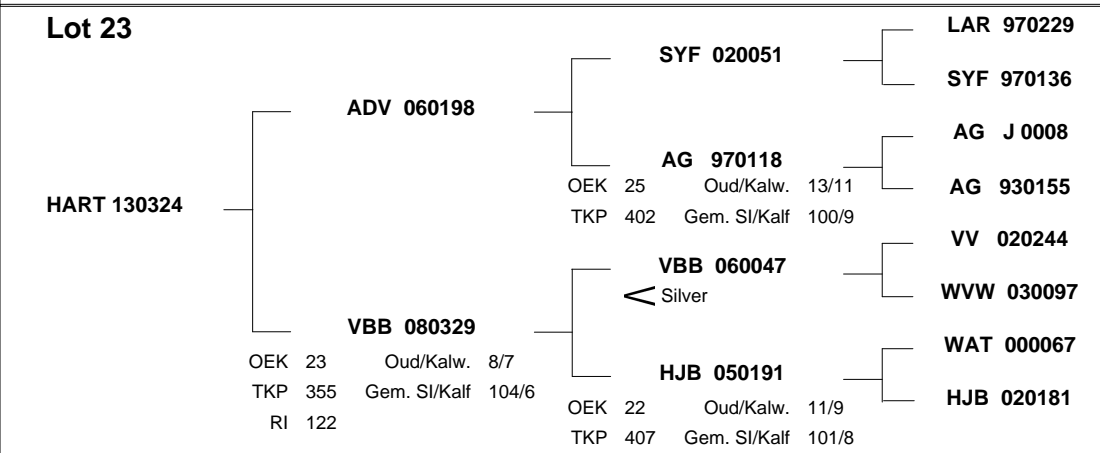
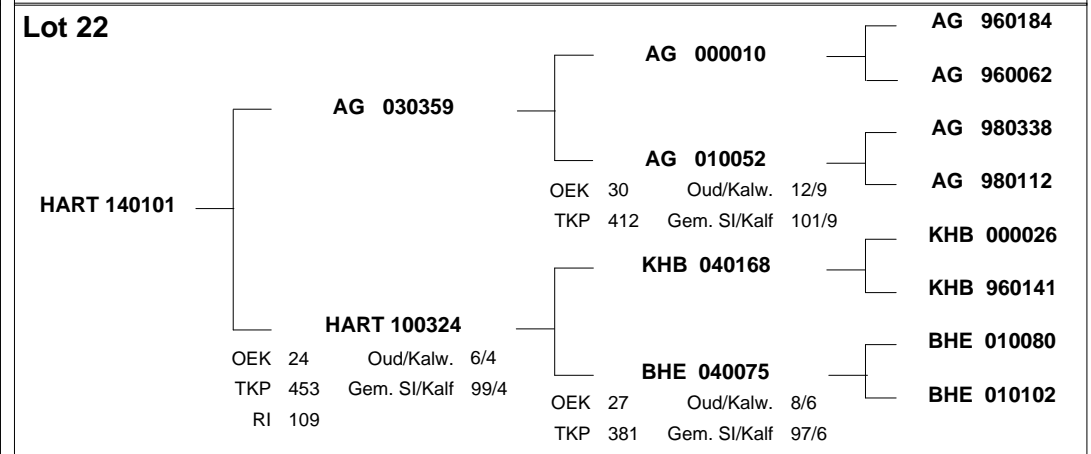
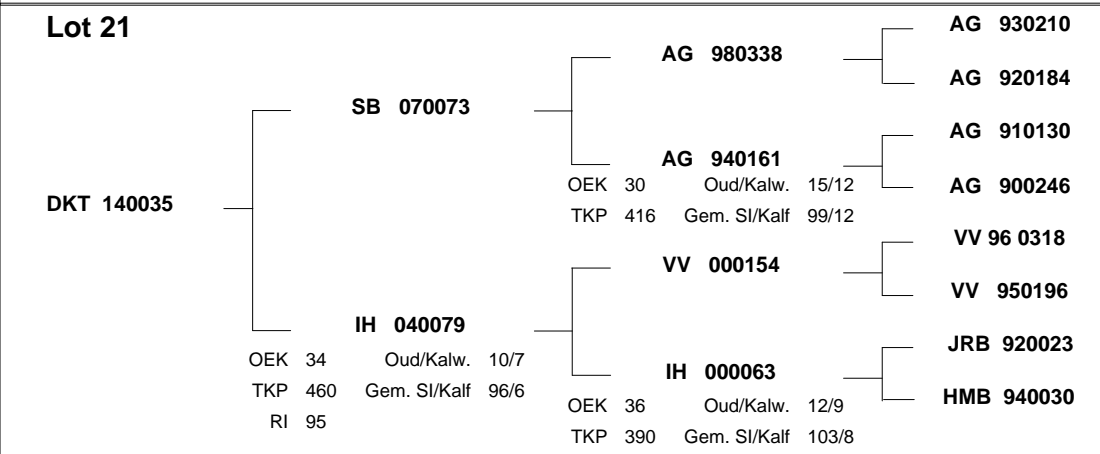
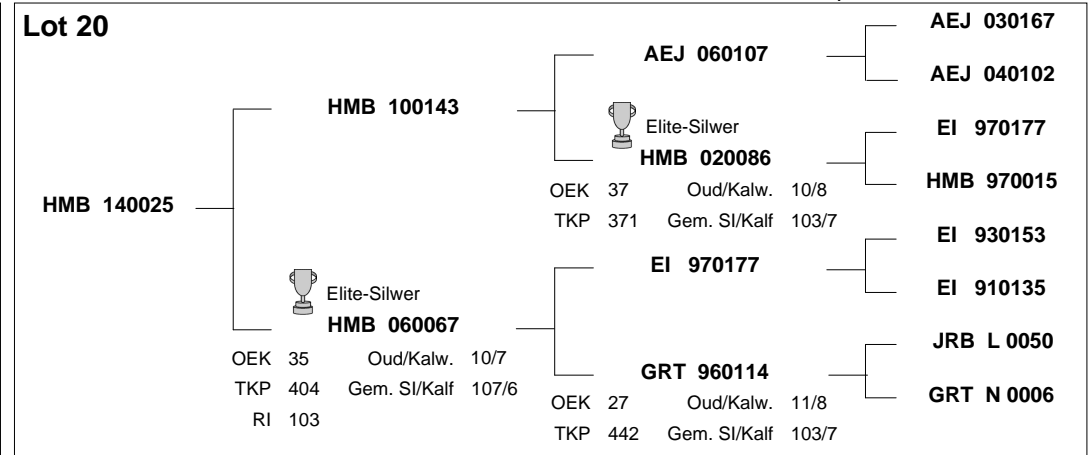
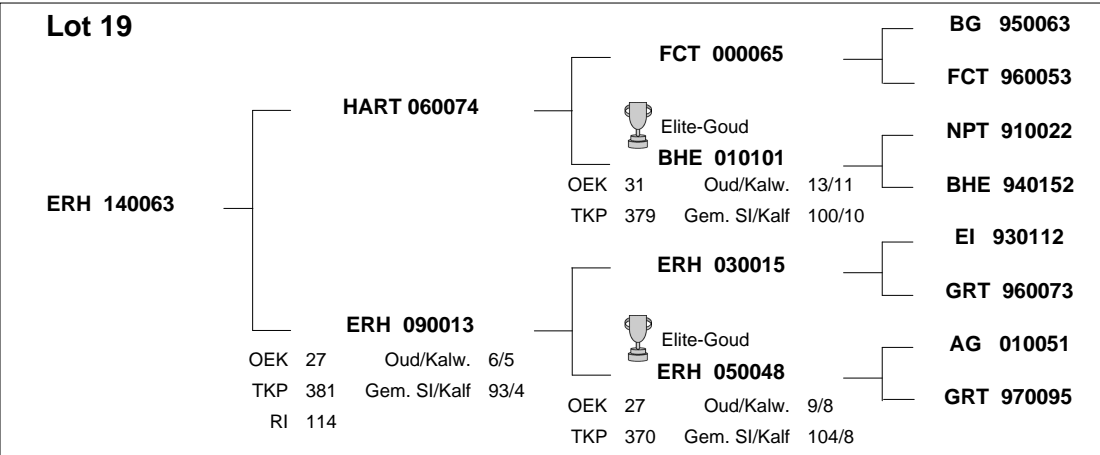


# BSMARA BEESTELERSGENOOTSAP VAN NAMIBIA

Saamgestel deur die Suid-Afrikaanse Stamboek- en Veeverbeteringsvereniging

Veilingsdatum: 19/05/2017

Data soos op 20/04/2017 10:40:53





# BONSMARA CATTLE BREEDERS SOCIETY OF NAMIBIA

Compiled by the South African Stud Book and Livestock Improvement Association  
Pedigree- and Performance data certified correct

Auction Date: 19/05/2017  
Data as on 20/04/2017 10:41:00

Lot	Seller	ID	PARENTS	Test	Breeding Value Indexes											LHR	BWR	WWR	Semen Users	Breeder Own Remarks
					DIRECT CALF TRAITS		DAUGHTER TRAITS			GROWTH		EFF.	REP	MEASUREMENTS						
		POLLED	SIRE	LidCat	Birth Dir	Wean Dir	Birth Mat	Wean Mat	Mat Wgt	Post Wean	ADG	FCR KLB	SC	Hgt	Lgt					
		Gen	DAM	DNA	Acc	Acc	Acc	Acc	Acc	Acc	Acc	Acc	Acc	Acc	Acc	Acc	Acc	Acc	Acc	
			PV	DNA	Wgt kg	Wgt kg	Ind	kg	kg	kg	365d Ind	540d Ind	Ind	Ind	(mm)	(mm)	(mm)			

## BULLS

25	HARTEBEESTLOOP STOET	HART 140128	HART 090073	GTg	<b>117</b>	<b>95</b>	<b>101</b>	<b>88</b>	<b>82</b>	<b>100</b>	<b>115</b>	<b>123</b>	<b>103</b>	<b>93</b>	<b>94</b>	1.12		
			<input checked="" type="checkbox"/>	DNA	-0.85	9.6	-0.23	0.6	-10.0	19.3	147	-73	11.7	-4	8	6.96		
			HART 120132	25.03.14	33	273	<b>100</b>			-		<b>96</b>	94	325	1194	1332	59.2	
26	THE DE KLERK TRUST	DKT 140043	HART 100091	PW540	<b>119</b>	<b>89</b>	<b>97</b>	<b>98</b>	<b>78</b>	<b>91</b>	<b>91</b>	<b>88</b>	<b>115</b>	<b>115</b>	<b>107</b>	-		
			<input checked="" type="checkbox"/>	DNA	-1.01	6.8	-0.03	3.4	-15.0	13.1	46	-22	19.1	12	22	5.69		
			DKT 060041	23.07.14	34	226	<b>103</b>			100	101	-	-	325	-	-	45.2	
27	HARTEBEESTLOOP STOET	HART 140280	HART 080082	GTg	<b>112</b>	<b>84</b>	<b>105</b>	<b>101</b>	<b>71</b>	<b>84</b>	<b>99</b>	<b>109</b>	<b>93</b>	<b>82</b>	<b>84</b>	1.18		
			<input checked="" type="checkbox"/>	DNA	-0.34	4.7	-0.39	4.2	-23.0	8.2	77	-53	5.9	-11	-2	7.94		
			HART 120391	10.09.14	32	251	<b>103</b>			-		<b>95</b>	99	335	1220	1441	57.6	
28	HARTEBEESTLOOP STOET	HART 140104	AG 03 0256	GTg	<b>88</b>	<b>107</b>	<b>103</b>	<b>75</b>	<b>78</b>	<b>102</b>	<b>101</b>	<b>96</b>	<b>91</b>	<b>78</b>	<b>85</b>	1.18		
			<input checked="" type="checkbox"/>	DNA	2.22	15.1	-0.31	-2.9	-14.0	20.6	85	-34	5.1	-14	-1	-		
			BHE 040145	12.03.14	42	226	<b>99</b>			-		<b>116</b>	111	326	1158	1369	43.8	
29	HARTEBEESTLOOP STOET	HART 140046	LAR 060224	GT	<b>93</b>	<b>121</b>	<b>80</b>	<b>111</b>	<b>118</b>	<b>134</b>	<b>131</b>	<b>102</b>	<b>106</b>	<b>119</b>	<b>130</b>	1.17		
			<input checked="" type="checkbox"/>	DNA	1.71	21.2	0.73	6.9	27.0	42.7	215	-43	13.7	14	45	-		
			HART 070045	01.02.14	38	255	<b>104</b>			-		<b>130</b>	117	334	1264	1478	45.9	
30	HARTEBEESTLOOP STOET	HART 140103	HART 100272	GTg	<b>93</b>	<b>105</b>	<b>90</b>	<b>112</b>	<b>105</b>	<b>117</b>	<b>114</b>	<b>96</b>	<b>91</b>	<b>110</b>	<b>117</b>	1.17		
			<input checked="" type="checkbox"/>	DNA	1.70	13.9	0.28	7.3	14.0	30.8	142	-34	5.1	8	32	-		
			HART 110086	09.03.14	41	227	<b>101</b>			-		<b>113</b>	109	327	1202	1402	44.3	

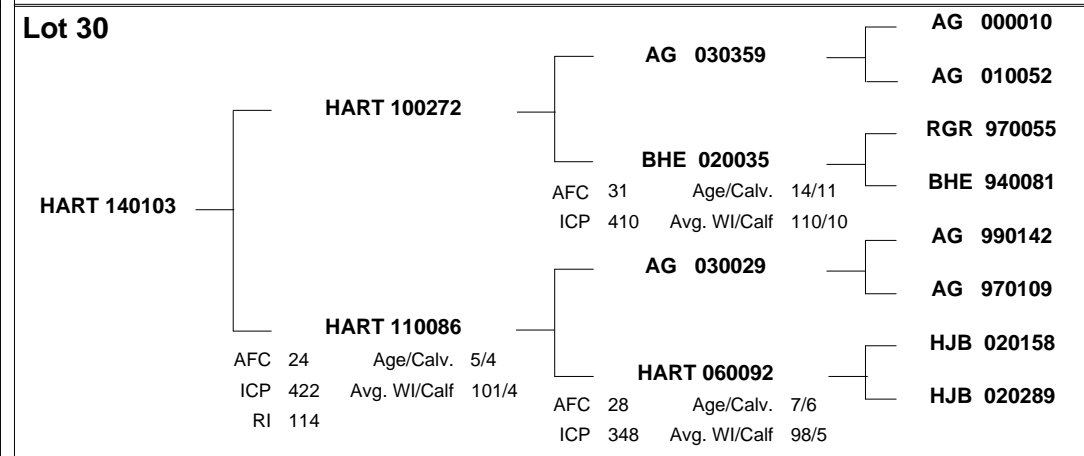
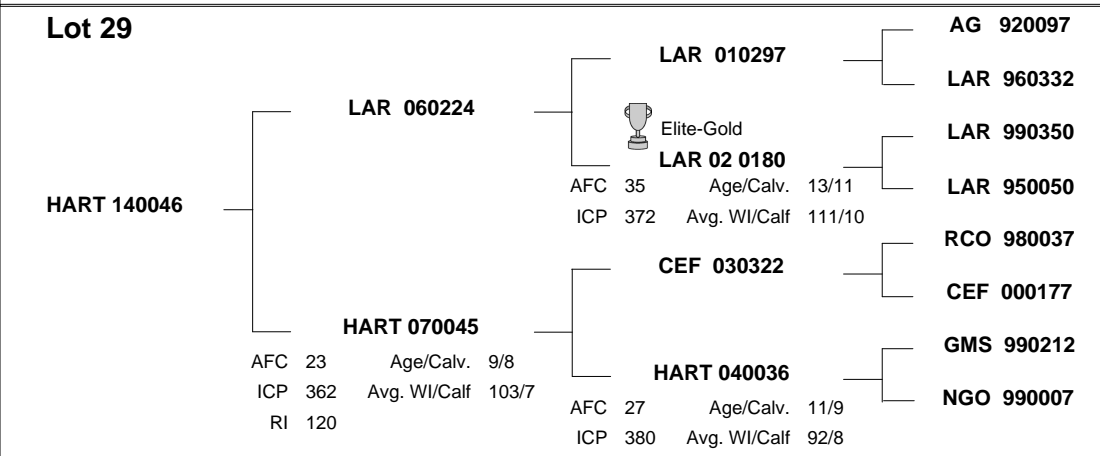
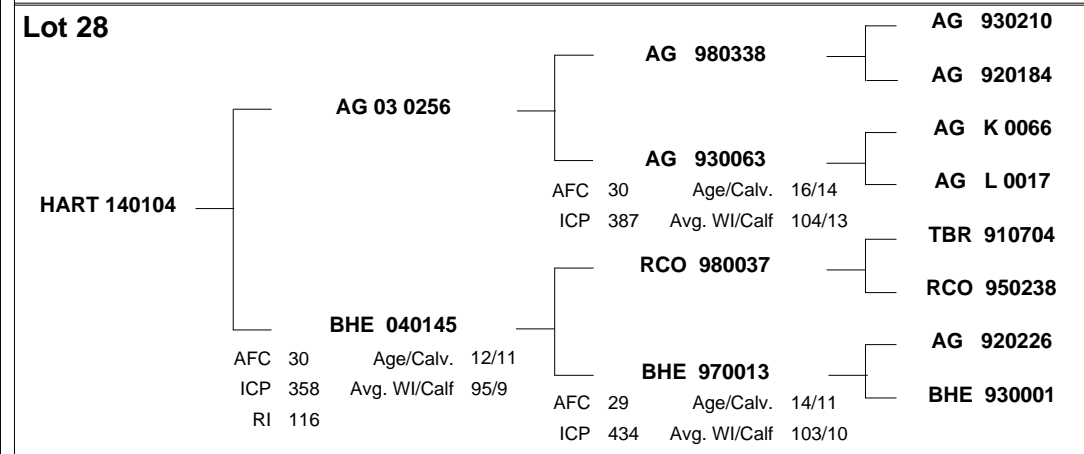
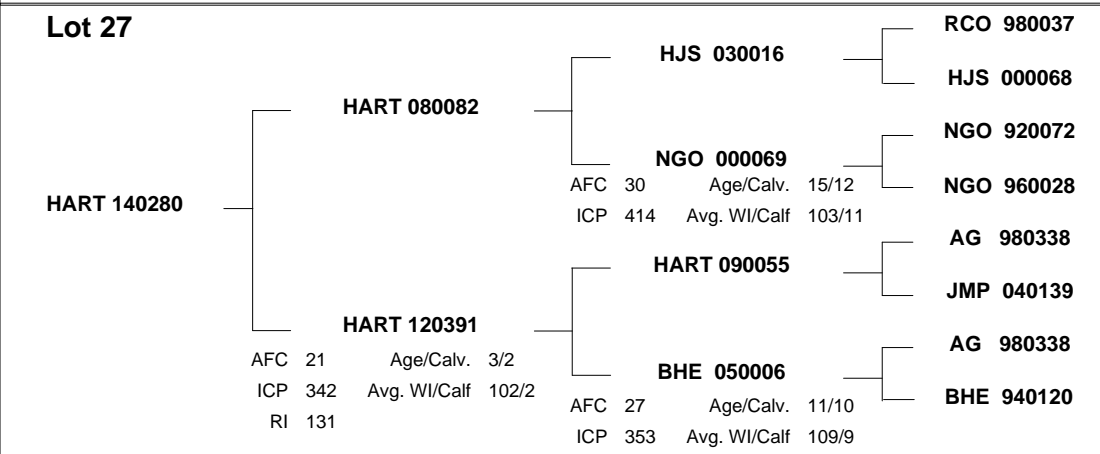
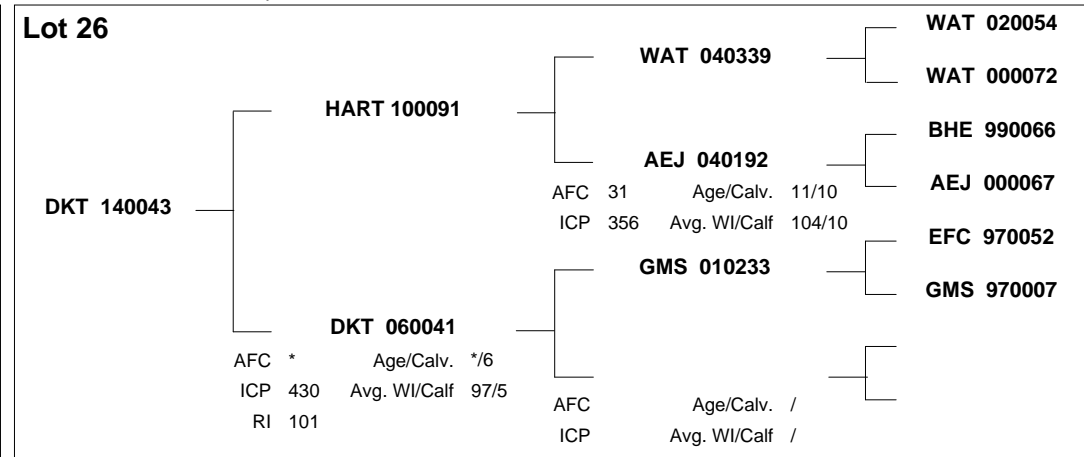
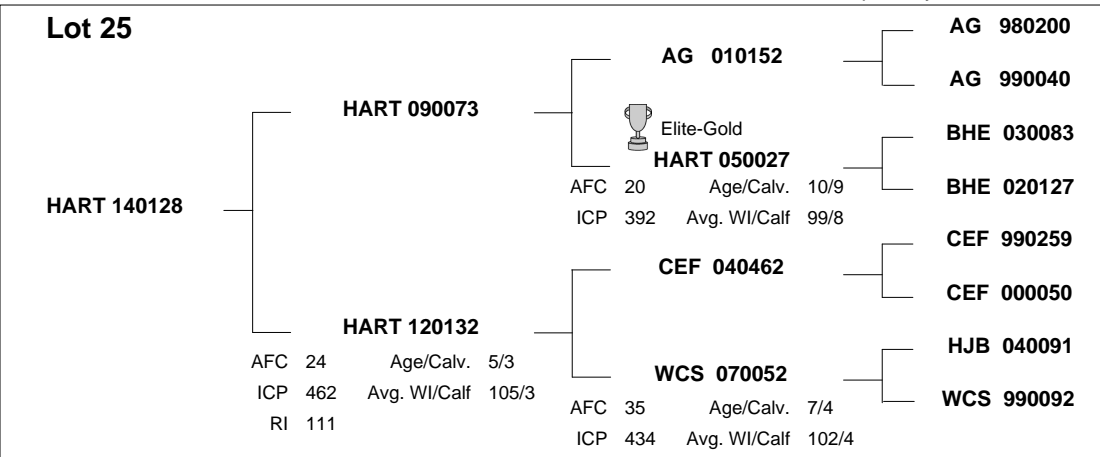
0.96	11.7	-0.18	3.9	8	19.2	83	-40	10.2	1	14
------	------	-------	-----	---	------	----	-----	------	---	----

# BONSMARA CATTLE BREEDERS SOCIETY OF NAMIBIA

Compiled by the South African Stud Book and Livestock Improvement Association

Auction Date: 19/05/2017

Data as on 20/04/2017 10:41:00





# BONSMARA BEESTELINGSAANTOEGANG VAN NAMIBIA

Saamgestel deur die Suid-Afrikaanse Stamboek- en Veeverbeteringsvereniging  
Stamboom- en Prestasiedata korrek gesertifiseer

Veilingsdatum: 19/05/2017  
Data soos op 20/04/2017 10:41:04

Lot	Verkoper	ID	POENA	Gen	OUERS		Toets	Teelwaarde indekse										LHV	GGV	SGV	Semen Gebruikers	Gebruiker Eie Opmerkings
					VADER	MOEDER		LidCat	DNS	Geb Dir	Speen Dir	Geb Mat	Speen Mat	Volwas- se Gewig	Naspeen	GDT	VOV KLB					

## BULLE

31	HARTEBEESTLOOP STOET	HART 130051	AG 060411	GT	<b>93</b>	<b>85</b>	<b>108</b>	<b>105</b>	<b>96</b>	<b>82</b>	<b>86</b>	<b>67</b>	<b>82</b>	<b>96</b>	<b>95</b>	1.19		
			<input checked="" type="checkbox"/>	DNS	1.66	4.9	-0.56	5.2	4.0	6.8	25	8	-0.3	-2	9	-		
			BHE 010144	04.02.13	39	221	<b>100</b>			-		<b>101</b>	106	330	1183	1412	-	
32	HARTEBEESTLOOP STOET	HART 130379	AG 030359	GTg	<b>100</b>	<b>100</b>	<b>95</b>	<b>121</b>	<b>95</b>	<b>108</b>	<b>110</b>	<b>102</b>	<b>107</b>	<b>89</b>	<b>100</b>	1.19		
			<input checked="" type="checkbox"/>	DNS	0.95	11.9	0.03	9.8	3.0	24.8	124	-43	14.1	-7	14	-		
			HART 100151	14.11.13	36	261	<b>106</b>			-		<b>107</b>	108	340	1210	1439	46.3	
33	HARTEBEESTLOOP STOET	HART 140081	HART 100202	GT	<b>114</b>	<b>104</b>	<b>106</b>	<b>107</b>	<b>118</b>	<b>106</b>	<b>120</b>	<b>120</b>	<b>112</b>	<b>109</b>	<b>93</b>	1.05		
			<input checked="" type="checkbox"/>	DNS	-0.51	13.4	-0.44	5.8	27.0	23.7	167	-69	17.1	7	7	-		
			NGO 020010	24.02.14	35	278	<b>105</b>			-		<b>108</b>	102	351	1259	1321	37.7	
34	HARTEBEESTLOOP STOET	HART 140014	HART 100251	GT	<b>91</b>	<b>110</b>	<b>88</b>	<b>107</b>	<b>108</b>	<b>117</b>	<b>126</b>	<b>131</b>	<b>101</b>	<b>112</b>	<b>115</b>	1.16		
			<input checked="" type="checkbox"/>	DNS	1.89	16.3	0.39	6.0	17.0	31.1	195	-86	10.9	9	30	-		
			HART 110056	08.01.14	37	274	<b>94</b>			-		<b>105</b>	99	331	1228	1425	48.8	
35	HARTEBEESTLOOP STOET	HART 130443	AG 060411	GTg	<b>86</b>	<b>100</b>	<b>121</b>	<b>102</b>	<b>88</b>	<b>97</b>	<b>96</b>	<b>74</b>	<b>118</b>	<b>104</b>	<b>99</b>	1.13		
			<input checked="" type="checkbox"/>	DNS	2.47	11.5	-1.17	4.5	-4.0	17.0	64	-2	21.0	4	13	-		
			JMP 040139	31.12.13	37	264	<b>109</b>			-		<b>120</b>	110	341	1271	1434	46.8	
36	HARTEBEESTLOOP STOET	HART 130240	AG 010152	GT	<b>87</b>	<b>102</b>	<b>83</b>	<b>107</b>	<b>91</b>	<b>106</b>	<b>114</b>	<b>115</b>	<b>105</b>	<b>91</b>	<b>96</b>	1.18		
			<input checked="" type="checkbox"/>	DNS	2.37	12.9	0.58	5.7	-2.0	23.3	141	-62	12.9	-5	10	-		
			HART 100164	18.08.13	44	318	<b>114</b>			-		<b>101</b>	97	336	1229	1452	57	

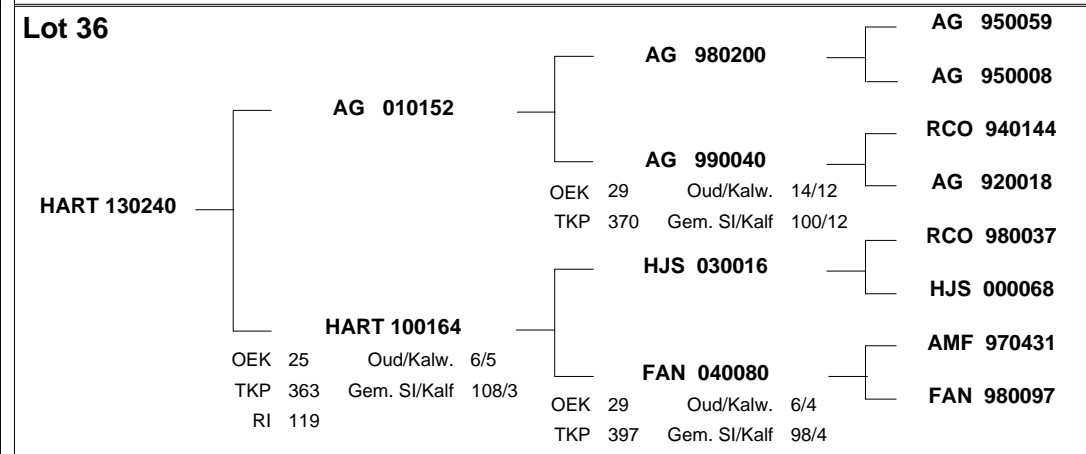
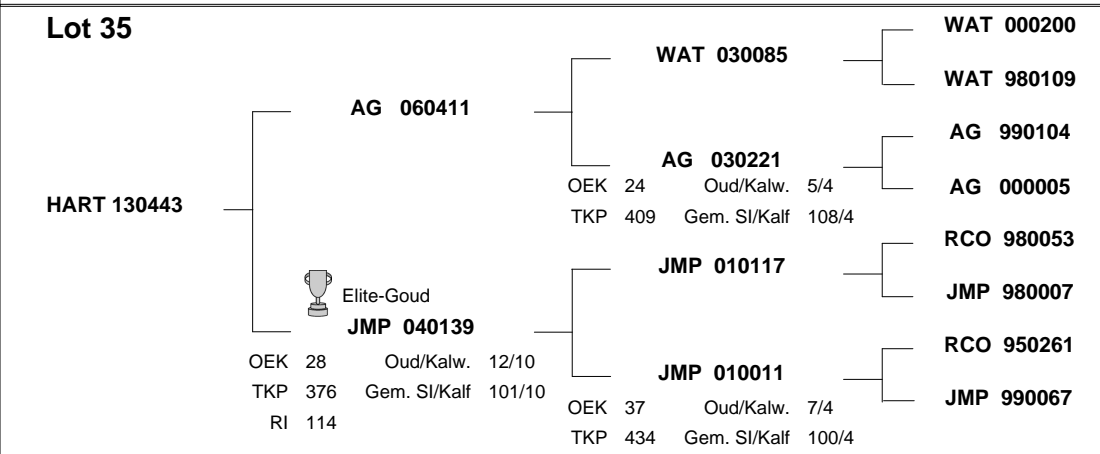
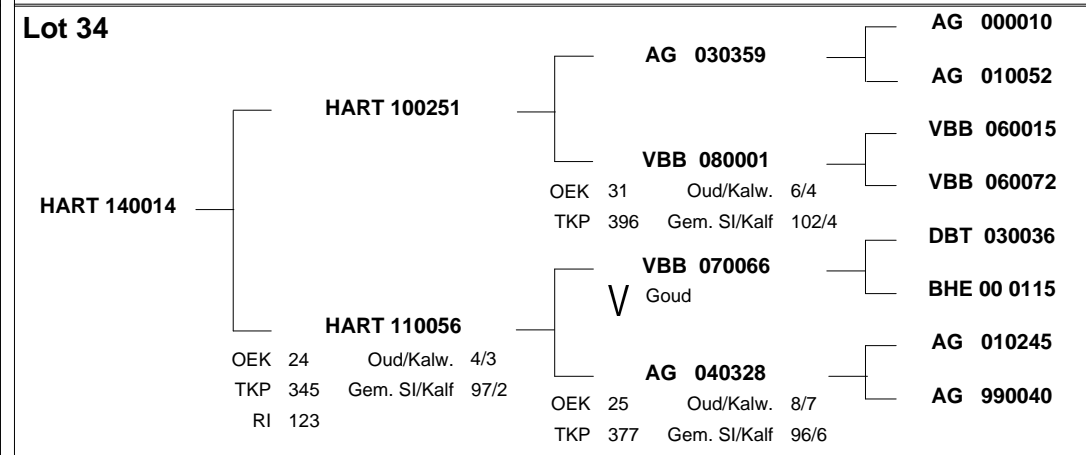
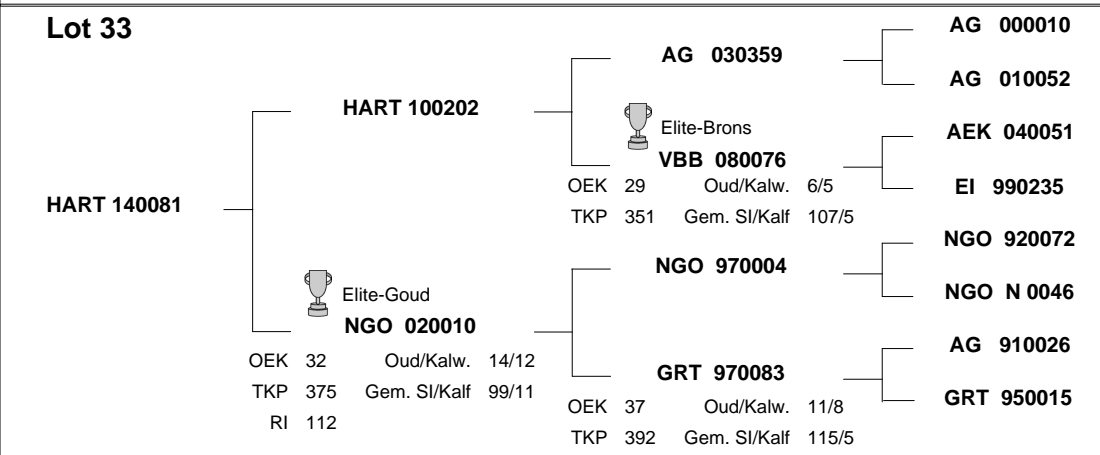
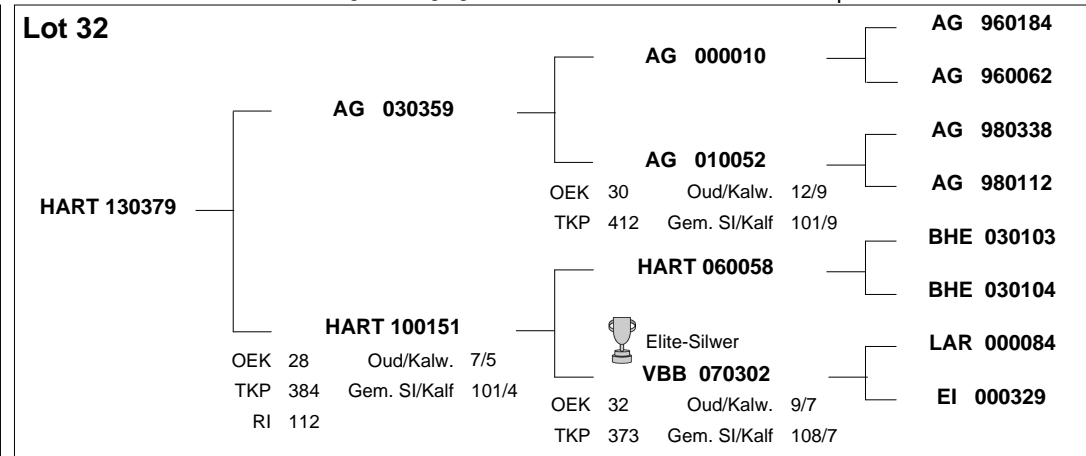
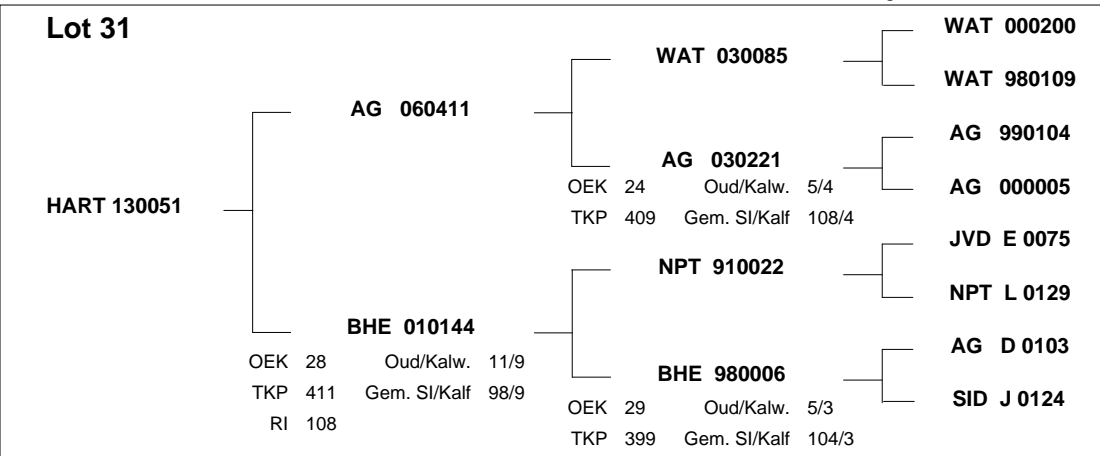
0.96	11.7	-0.18	3.9	8	19.2	83	-40	10.2	1	14
------	------	-------	-----	---	------	----	-----	------	---	----

# BONSMARA BEESTELERSNOOTSAP VAN NAMIBIA

Saamgestel deur die Suid-Afrikaanse Stamboek- en Veeverbeteringsvereniging

Veilingsdatum: 19/05/2017

Data soos op 20/04/2017 10:41:04





# BONSMARA CATTLE BREEDERS SOCIETY OF NAMIBIA

Compiled by the South African Stud Book and Livestock Improvement Association  
Pedigree- and Performance data certified correct

Auction Date: 19/05/2017  
Data as on 20/04/2017 10:41:09

Lot	Seller	ID	POLLED	Gen	PARENTS		Test	Breeding Value Indexes										Semen Users	Breeder Own Remarks				
					SIRE PV	DAM PV		LidCat	Birth Dir	Wean Dir	Birth Mat	Wean Mat	Mat Wgt	Post Wean	ADG	FCR KLB	SC			Hgt	Lgt	LHR	BWR
								Birth Date	Wgt kg	Wgt kg	Ind	kg	kg	kg	365d Ind	540d Ind	Ind	Ind	(mm)	(mm)	(mm)		

## BULLS

37	HARTEBEESTLOOP STOET	HART 130217	HART 090055	GT	<b>88</b>	<b>118</b>	<b>105</b>	<b>91</b>	<b>103</b>	<b>113</b>	<b>106</b>	<b>94</b>	<b>110</b>	<b>120</b>	<b>117</b>	1.2		
			<input checked="" type="checkbox"/>	DNA	2.21	19.8	-0.43	1.5	12.0	28.3	106	-31	15.9	15	32	-		
			HART 070012	18.07.13	38	249	100	-	113	107	329	1266	1515	45.4				
38	HARTEBEESTLOOP STOET	HART 120028	HART 070087	GT	<b>94</b>	<b>110</b>	<b>104</b>	<b>103</b>	<b>95</b>	<b>103</b>	<b>98</b>	<b>101</b>	<b>94</b>	<b>98</b>	<b>101</b>	1.2		
			<input checked="" type="checkbox"/>	DNA	1.55	16.3	-0.37	4.7	3.0	21.5	74	-41	6.9	0	15	-		
			CEF 990086	23.01.12	40	274	113	-	98	97	323	1244	1494	44.6				

0.96	11.7	-0.18	3.9	8	19.2	83	-40	10.2	1	14
------	------	-------	-----	---	------	----	-----	------	---	----

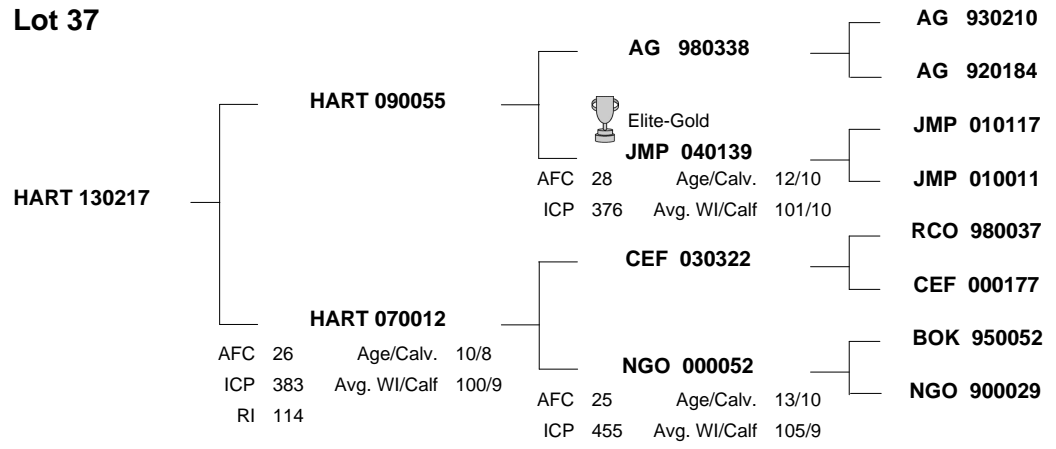
# BONSMARA CATTLE BREEDERS SOCIETY OF NAMIBIA

Compiled by the South African Stud Book and Livestock Improvement Association

Auction Date: 19/05/2017

Data as on 20/04/2017 10:41:09

## Lot 37



## Lot 38

